

**INABA DENKO**



**INABA DENKI SANGYO CO., LTD.**

Overseas Sales Department INABA DENKO Div  
10F, 4-11-14, Itachibori, Nishi-ku, Osaka, Japan, 550-0012  
Tel: +81-(0)6-4391-1951 Fax: +81-(0)6-4391-1958

E-mail: [inabadenko-overseas@gr-inaba.com](mailto:inabadenko-overseas@gr-inaba.com) <https://www.inaba-denko.com/en/>



2022.07.1000

**INABA DENKO**

Installation Materials for **Air-Conditioners**

Installation Materials for  
**Air-Conditioners**

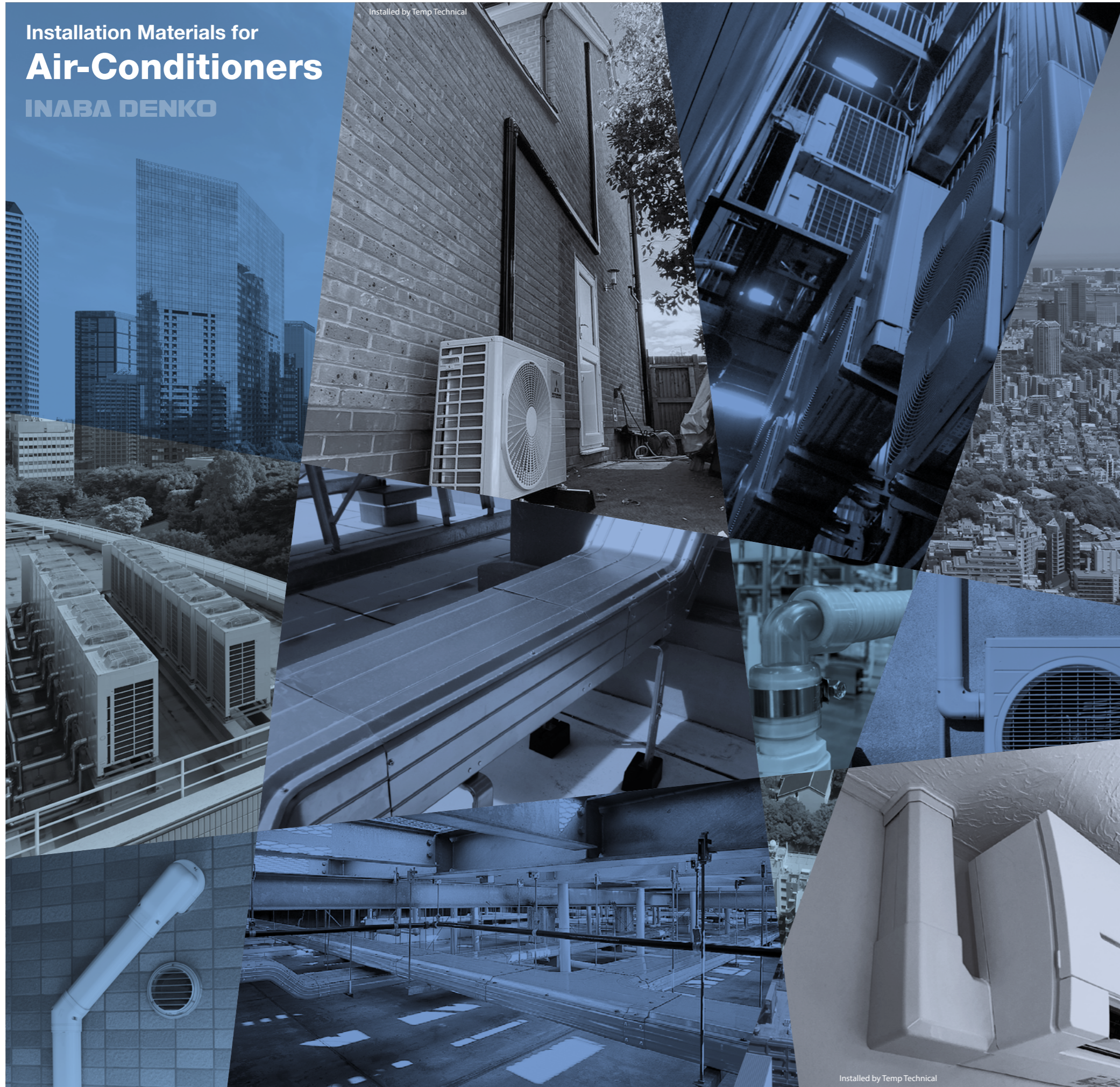
**INABA DENKO**

<https://www.INABA-DENKO.com/>

Installed by Temp Technical

# Installation Materials for Air-Conditioners

INABA DENKO



Installed by Temp Technical

## Index

### Trunking System (For Residential Use)

|                                      |    |
|--------------------------------------|----|
| SLIMDUCT SD .....                    | 3  |
| IHM .....                            | 9  |
| SLIMDUCT SD - Elevating System ..... | 11 |
| SLIMDUCT MD .....                    | 13 |

### Trunking System (For Commercial Use)

|                   |    |
|-------------------|----|
| SLIMDUCT PD ..... | 15 |
| SLIMDUCT RD ..... | 19 |

### Insulated Copper Tube/Pipe

|                                  |    |
|----------------------------------|----|
| Insulated Copper Tube/Pipe ..... | 21 |
|----------------------------------|----|

### Drain Hose

|  |    |
|--|----|
| Drain Hose & Accessories -Outdoor- ..... | 25 |
| Insulated Drain Hose [Soft Type] .....   | 27 |
| DSH-UP series .....                      | 29 |

### Pipe Support/Holder & Tying Band

|   |    |
|---|----|
| SUPERLOCK .....                           | 31 |
| PIPE SUPPORT .....                        | 33 |
| SEISMIC RESTRAINT [V-Type / D-Type] ..... | 37 |
| SEISMIC RESTRAINT [C-Type / E-Type] ..... | 38 |
| BIGTIE .....                              | 39 |

### Condenser Riser & Bracket

|   |    |
|---|----|
| PLAROCK .....                                 | 41 |
| PP CONDENSER RISER & ANTI VIBRATION PAD ..... | 42 |
| RECYCROCK .....                               | 43 |

### Tape/Sleeve

|  |    |
|--|----|
| TAPE .....                               | 44 |
| UV RESISTANT TAPE .....                  | 45 |
| INSULATION JOINT ADHESIVE TAPE JTA ..... | 46 |
| WALL SLEEVE .....                        | 47 |
| WALL CAP .....                           | 48 |

### CATCHER – Universal Condenser Bracket

|                                     |    |
|-------------------------------------|----|
| WALL BRACKET – Separated Type ..... | 49 |
| WALL BRACKET .....                  | 49 |
| SLOPED ROOF BRACKET .....           | 49 |
| SLAB STAND .....                    | 50 |
| DUPLEX STAND .....                  | 50 |
| WALL BRACKET .....                  | 50 |
| SLOPED ROOF BRACKET .....           | 50 |

# SLIMDUCT™ SD



## Beauty

### Beautiful Finish

#### Professional

The perfect system SLIMDUCT SD with various fittings will conceal, beautify and protect exposed piping and is suitable for any Split Air Conditioners.



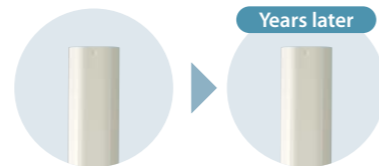
Before

After

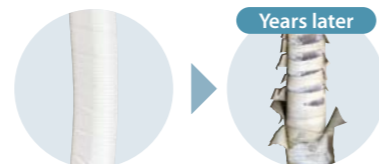
#### Protective

SLIMDUCT SD is constructed from a special high grade PVC for superior UV and weather resistance, protecting piping from the elements, vandalism and pest damage.

#### SLIMDUCT SD



#### Taping Installation



## Variety

### Wide Range of Variation

#### Color

5 colors to suit any color scheme.  
Paintable to match or compliment custom colors. Follow paint manufacturer's recommendations for vinyl products



#### Size

3 sizes to accommodate any single piping or multiple piping.

#### Fittings

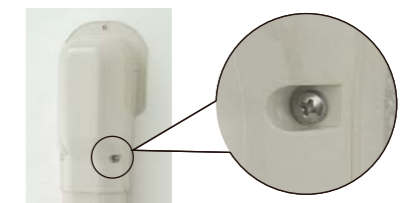
A full range of different fittings to customize SLIMDUCT SD to suit the layout of piping route.  
\*For further information, visit our website.

## Function

### Excellent Performance

#### Quality Fasteners

All SLIMDUCT fittings include stainless steel screws to avoid rust and corrosion.



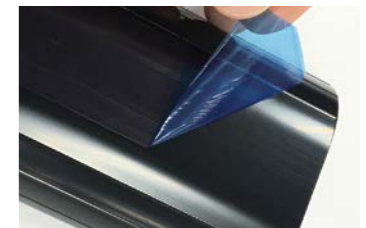
#### Workability

Punch out holes are located every 100mm, which enables convenient installation when mounting.



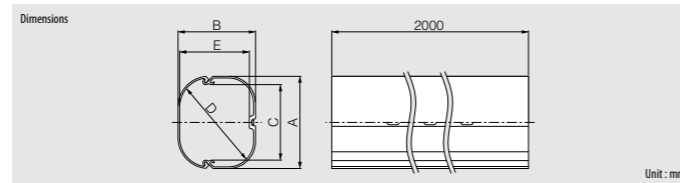
#### Protective Film

Slimduct Black and Brown come with a protective film to eliminate the possibility of visible scratches until the last moment the job is completed.



**SD SLIMDUCT SD**

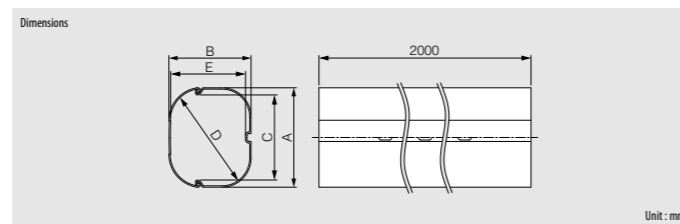
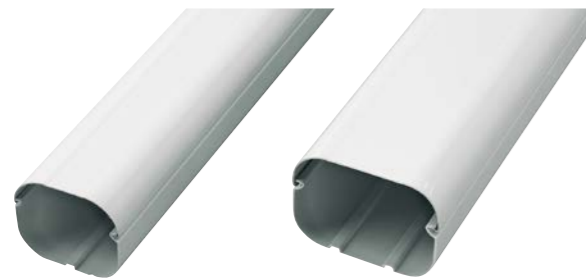
Straight trunking



| Item No. | Color Variation | A   | B  | C   | D   | E  | Pcs/Pkg |
|----------|-----------------|-----|----|-----|-----|----|---------|
| SD- 77   | □□□■            | 75  | 63 | 60  | 76  | 56 | 15      |
| SD-100   | □□□■            | 100 | 70 | 86  | 99  | 64 | 10      |
| SD-140   | □□□■            | 140 | 80 | 122 | 135 | 73 | 5       |

**NSD NEO SLIMDUCT NSD [Overseas Model]**

Straight trunking



| Item No. | Color Variation | A   | B  | C  | D   | E  | Pcs/Pkg |
|----------|-----------------|-----|----|----|-----|----|---------|
| NSD- 77  | □□              | 75  | 62 | 64 | 77  | 56 | 10      |
| NSD-100  | □□              | 100 | 70 | 84 | 100 | 64 | 10      |

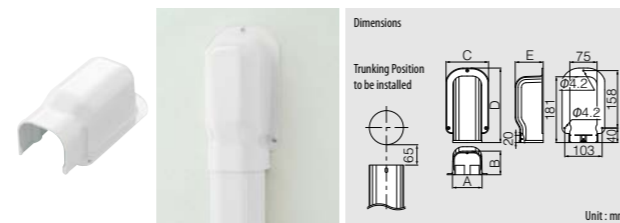
**SW WALL INLET**



| Item No. | Color Variation | A   | B  | C   | D   | E  | Pcs/Pkg* |
|----------|-----------------|-----|----|-----|-----|----|----------|
| SW- 77   | □□□■            | 83  | 66 | 110 | 205 | 77 | 60(20)   |
| SW-100   | □□□■            | 110 | 74 | 128 | 223 | 86 | 10(10)   |
| SW-140   | □□□■            | 146 | 84 | 166 | 280 | 98 | 5( 5)    |

\*( ) shows quantities of Gray, White, Black, and Brown.

**SWA WALL INLET for Base-Free**



| Item No. | Color Variation | A   | B  | C   | D   | E  | Pcs/Pkg |
|----------|-----------------|-----|----|-----|-----|----|---------|
| SWA- 77  | □□□■            | 80  | 65 | 117 | 205 | 77 | 20      |
| SWA-100  | □□              | 104 | 73 | 142 | 227 | 87 | 10      |

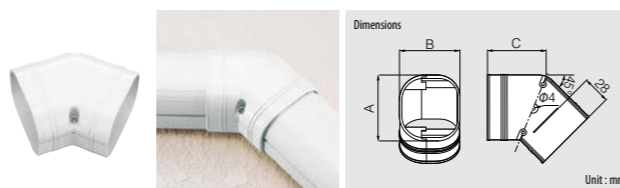
**SK 90° FLAT ELL**



| Item No. | Color Variation | A   | B  | C   | D  | Pcs/Pkg* |
|----------|-----------------|-----|----|-----|----|----------|
| SK- 77   | □□□■            | 81  | 66 | 128 | 20 | 60(20)   |
| SK-100   | □□□■            | 106 | 74 | 151 | 20 | 10(10)   |
| SK-140   | □□□■            | 146 | 84 | 190 | 30 | 5( 5)    |

\*( ) shows quantities of Gray, White, Black, and Brown.

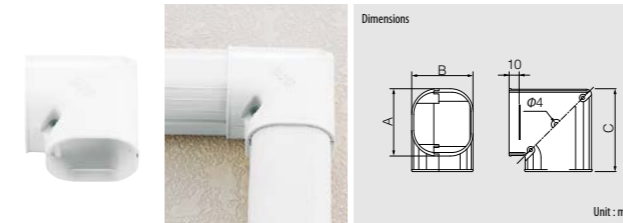
**SKF 45° FLAT ELL**



| Item No. | Color Variation | A   | B  | C  | Pcs/Pkg |
|----------|-----------------|-----|----|----|---------|
| SKF- 77  | □□□■            | 82  | 68 | 65 | 20      |
| SKF-100  | □□□■            | 107 | 75 | 75 | 10      |
| SKF-140  | □□□■            | 147 | 85 | 92 | 5       |

Color Variation: □...White, □...Ivory, □...Gray, ■...Brown, ■...Black  
<https://www.inaba-denko.com/en/>

**SKM 90° MINI FLAT ELL**



| Item No. | Color Variation | A  | B  | C  | Pcs/Pkg |
|----------|-----------------|----|----|----|---------|
| SKM-77   | □□□■            | 82 | 68 | 97 | 97      |

**SC 90° VERTICAL ELL**



| Item No. | Color Variation | A   | B  | C   | D  | Pcs/Pkg* |
|----------|-----------------|-----|----|-----|----|----------|
| SC- 77   | □□□■            | 81  | 67 | 100 | 20 | 60(20)   |
| SC-100   | □□□■            | 106 | 75 | 117 | 30 | 10(10)   |
| SC-140   | □□□■            | 145 | 84 | 126 | 30 | 5( 5)    |

\*( ) shows quantities of Gray, White, Black, and Brown.

**SCM 90° MINI VERTICAL ELL**



| Item No. | Color Variation | A  | B  | C  | Pcs/Pkg |
|----------|-----------------|----|----|----|---------|
| SCM-77   | □□□■            | 82 | 68 | 82 | 20      |

**SJ COUPLER**



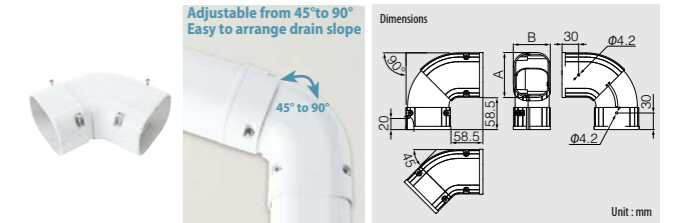
| Item No. | Color Variation | A   | B  | C  | Pcs/Pkg* |
|----------|-----------------|-----|----|----|----------|
| SJ- 77   | □□□■            | 85  | 67 | 50 | 60(20)   |
| SJ-100   | □□□■            | 109 | 75 | 66 | 20(20)   |
| SJ-140   | □□□■            | 146 | 84 | 90 | 10(10)   |

\*( ) shows quantities of Gray, White, Black, and Brown.

<https://www.inaba-denko.com/en/>

**SKS ADJUSTABLE FLAT ELL**

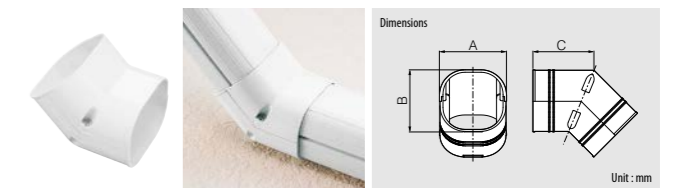
45° to 90° ELL



| Item No. | Color Variation | A   | B  | Pcs/Pkg |
|----------|-----------------|-----|----|---------|
| SKS- 77  | □□□■            | 81  | 67 | 10      |
| SKS-100  | □□              | 107 | 75 | 10      |

\*Material ... PVC

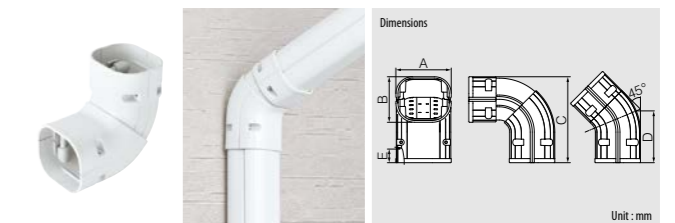
**SCF 45° VERTICAL ELL**



| Item No. | Color Variation | A   | B  | C  | Pcs/Pkg |
|----------|-----------------|-----|----|----|---------|
| SCF- 77  | □□□■            | 82  | 68 | 61 | 20      |
| SCF-100  | □□□■            | 107 | 75 | 64 | 10      |
| SCF-140  | □□□■            | 147 | 85 | 67 | 5       |

**SCS ADJUSTABLE VERTICAL ELL**

45° to 90° ELL



| Item No. | Color Variation | A   | B  | C   | D  | E  | Pcs/Pkg |
|----------|-----------------|-----|----|-----|----|----|---------|
| SCS- 77  | □□              | 81  | 67 | 126 | 76 | 20 | 10      |
| SCS-100  | □□              | 106 | 75 | 134 | 82 | 20 | 10      |

**SP SOFFIT INLET**



| Item No. | Color Variation | A   | B  | C   | D   | E   | Pcs/Pkg |
|----------|-----------------|-----|----|-----|-----|-----|---------|
| SP- 77   | □□□■            | 81  | 67 | 110 | 130 | 100 | 20      |
| SP-100   | □□□■            | 106 | 74 | 135 | 137 | 107 | 10      |
| SP-140   | □□□■            | 146 | 84 | 175 | 147 | 117 | 5       |

\*Material ... ABS (77/140), PVC (100)

Color Variation: □...White, □...Ivory, □...Gray, ■...Brown, ■...Black  
 Trunking System (For Residential Use)

**SE END FITTING**



| Item No.     | Color Variation | A  | B  | C  | D  | E  | Pcs/Pkg* |
|--------------|-----------------|----|----|----|----|----|----------|
| <b>SE-77</b> | □ □ □ □ □       | 53 | 43 | 45 | 82 | 67 | 60(20)   |

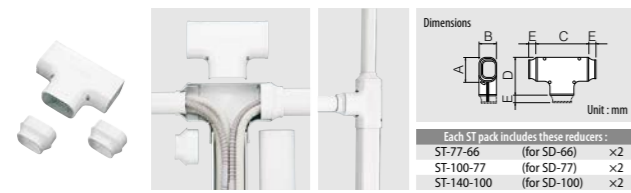
\* ( ) shows quantities of Gray, White, Black, and Brown.

**SEN END FITTING**



| Item No.       | Color Variation | A  | B   | C  | Pcs/Pkg |
|----------------|-----------------|----|-----|----|---------|
| <b>SEN-100</b> | □ □ □ □ □       | 56 | 112 | 76 | 20      |
| <b>SEN-140</b> | □ □ □ □ □       | 77 | 150 | 85 | 10      |

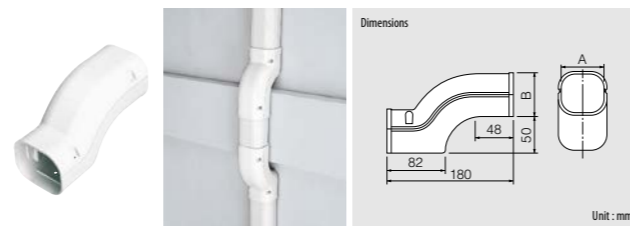
**ST TEE**



| Item No.      | Color Variation | A   | B  | C   | D   | E  | Pcs/Pkg |
|---------------|-----------------|-----|----|-----|-----|----|---------|
| <b>ST-77</b>  | □ □ □ □ □       | 85  | 68 | 165 | 124 | 31 | 10      |
| <b>ST-100</b> | □ □ □ □ □       | 109 | 78 | 200 | 154 | 33 | 10      |
| <b>ST-140</b> | □ □ □ □ □       | 148 | 87 | 250 | 199 | 32 | 5       |

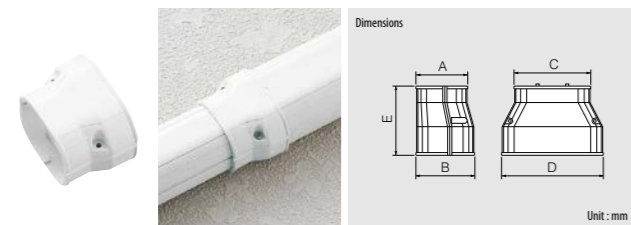
Each ST pack includes these reducers:  
 ST-77-66 (for SD-66) x2  
 ST-100-77 (for SD-77) x2  
 ST-140-100 (for SD-100) x2

**SIF 50MM FIXED OFFSET**



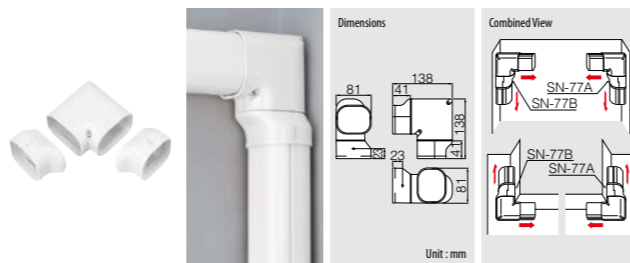
| Item No.       | Color Variation | A   | B  | Pcs/Pkg |
|----------------|-----------------|-----|----|---------|
| <b>SIF-77</b>  | □ □ □ □ □       | 83  | 69 | 10      |
| <b>SIF-100</b> | □ □ □ □ □       | 108 | 74 | 10      |

**SDR REDUCER**



| Item No.          | Color Variation | A  | B  | C   | D   | E   | Pcs/Pkg |
|-------------------|-----------------|----|----|-----|-----|-----|---------|
| <b>SDR100-77</b>  | □ □ □ □ □       | 67 | 75 | 81  | 106 | 66  | 20      |
| <b>SDR140-100</b> | □ □ □ □ □       | 75 | 84 | 109 | 147 | 100 | 10      |

**SN 90° TWIST ELBOW**



| Item No.     | Color Variation | Pcs/Pkg |
|--------------|-----------------|---------|
| <b>SN-77</b> | □ □ □ □ □       | 5       |

**SNA 90° TWIST ELBOW (RIGHT TWIST)**



(Contents)  
 Right twist joint ... 1pc.  
 90° FLAT ELL (SK-100) ... 1pc.

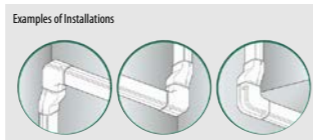


| Item No.       | Color Variation | Pcs/Pkg |
|----------------|-----------------|---------|
| <b>SNA-100</b> | □ □             | 5       |

**SNB 90° TWIST ELBOW (LEFT TWIST)**

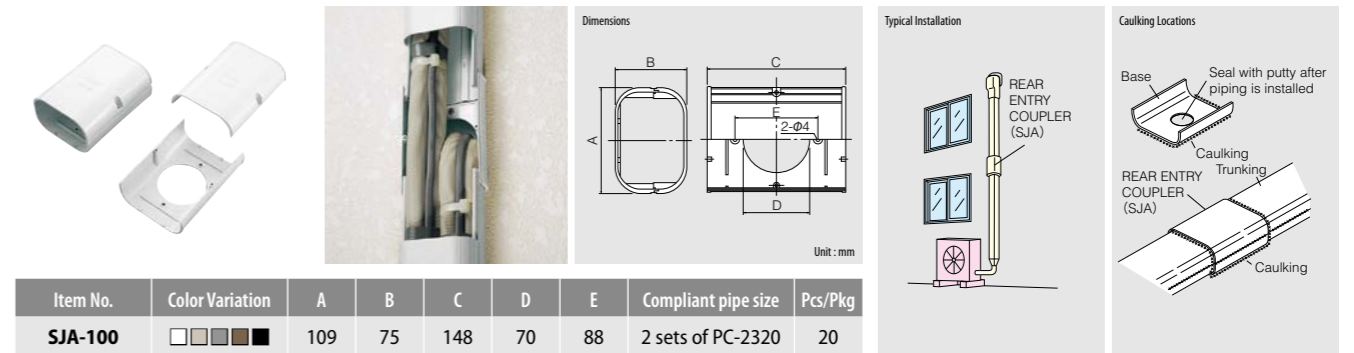


(Contents)  
 Left twist joint ... 1pc.  
 90° FLAT ELL (SK-100) ... 1pc.



| Item No.       | Color Variation | Pcs/Pkg |
|----------------|-----------------|---------|
| <b>SNB-100</b> | □ □             | 5       |

**SJA REAR ENTRY COUPLER**



| Item No.       | Color Variation | A   | B  | C   | D  | E  | Compliant pipe size | Pcs/Pkg |
|----------------|-----------------|-----|----|-----|----|----|---------------------|---------|
| <b>SJA-100</b> | □ □ □ □ □       | 109 | 75 | 148 | 70 | 88 | 2 sets of PC-2320   | 20      |

**SWC WALL FLANGE**

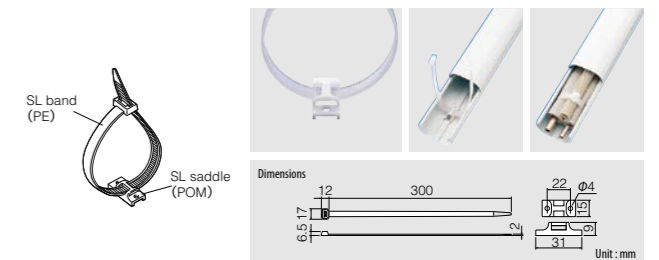


| Item No.       | Color Variation | A   | B  | C   | D   | E   | F   | G   | Diameter of core drill | Pcs/Pkg |
|----------------|-----------------|-----|----|-----|-----|-----|-----|-----|------------------------|---------|
| <b>SWC-77</b>  | □ □ □ □ □       | 83  | 71 | 127 | 115 | 80  | 110 | 90  | 85                     | 100     |
| <b>SWC-100</b> | □ □ □ □ □       | 108 | 78 | 174 | 144 | 104 | 140 | 114 | 110                    | 50      |
| <b>SWC-140</b> | □ □ □ □ □       | 148 | 88 | 220 | 180 | 144 | 196 | 154 | 145                    | 20      |

\*Material ... ABS

**SL STRAP KIT**

For SLIMDUCT



| Item No.      | Color Variation | Pcs/Pkg |
|---------------|-----------------|---------|
| <b>SL-300</b> | □               | 500     |

\*Material ... PE (SL band), POM (SL saddle)  
 \*Do not overtighten strap! This may decrease insulation performance.

**VD CUTTER for SLIMDUCT**

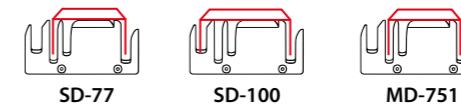


JAN Code / 4953998006133

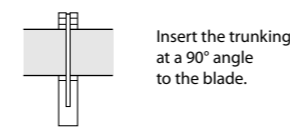
| Item No.      | Product Name |
|---------------|--------------|
| <b>VD2100</b> | Cutter       |



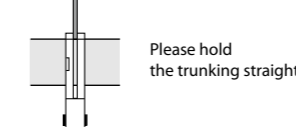
Applicable trunking size



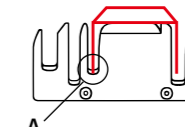
Please cut trunking slowly in all seasons.



Insert the trunking at a 90° angle to the blade.



Please hold the trunking straight.



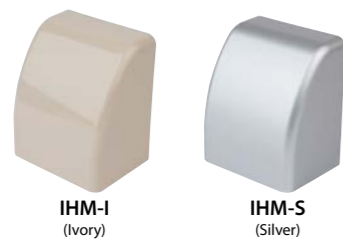
Reduce the cutting speed when the blade reaches the position A.

# IHM



## Enhance the Appearance

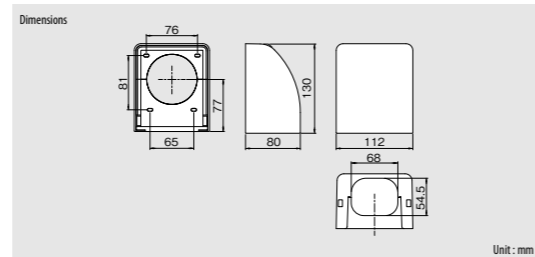
Enhance the appearance while hiding and protecting the final connection to the condenser by combining IHM with SF Flexible ELL.



IHM-I  
(Ivory)

IHM-S  
(Silver)

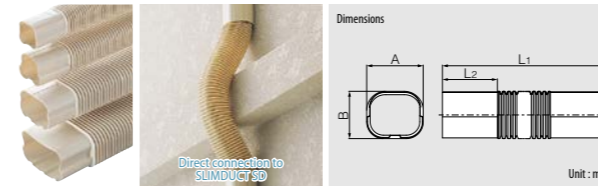
## IHM WALL-MOUNTED OUTLET



| Item No. | Color Variation | Pcs/Pkg |
|----------|-----------------|---------|
| IHM-I    | □               | 10      |
| IHM-S    | ■               | 10      |

<https://www.inaba-denko.com/en/>

## SF FLEXIBLE ELL with End Cuffs



| Item No.    | Color Variation | A   | B  | L <sub>1</sub> | L <sub>2</sub> | Pcs/Pkg |
|-------------|-----------------|-----|----|----------------|----------------|---------|
| SF- 77- 500 | □ □ □ □ ■       | 74  | 62 | 530            | 87             | 20      |
| SF- 77-1000 | □ □ □ □ ■       | 74  | 62 | 1060           | 87             | 20      |
| SF-100- 800 | □ □ □ □ ■       | 100 | 70 | 800            | 70             | 10      |
| SF-140- 800 | □ □ □ □ ■       | 146 | 86 | 800            | 80             | 5       |

\*Material ... PE (77), PP (100/140)

## SFJ SF FLEXIBLE ADAPTOR

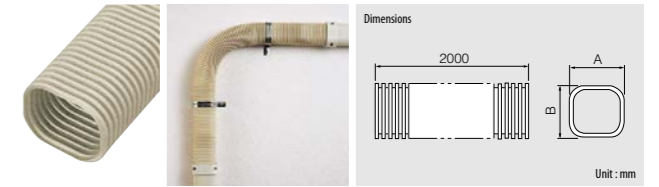


| Item No. | Color Variation | A   | B  | C  | Pcs/Pkg |
|----------|-----------------|-----|----|----|---------|
| SFJ- 77  | □ □ □ □ ■       | 83  | 66 | 35 | 20      |
| SFJ-100  | □ □ □ □ ■       | 108 | 74 | 40 | 20      |

\*Use with SFS.

\*To secure joint, insert 2 corrugations of SF into SFJ adaptor.

## SF 2M FLEXIBLE ELL with Raw Ends

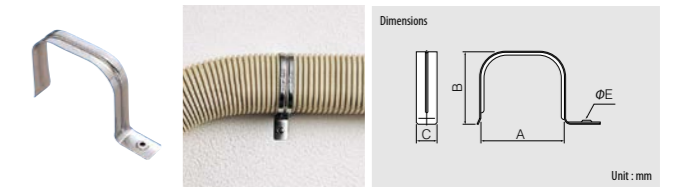


| Item No.   | Color Variation | A  | B  | Pcs/Pkg |
|------------|-----------------|----|----|---------|
| SF-77-2000 | □ □ □ □ ■       | 74 | 62 | 10      |

\*Material ... PE

\*Use with SFJ Coupler and SFS Clamp.

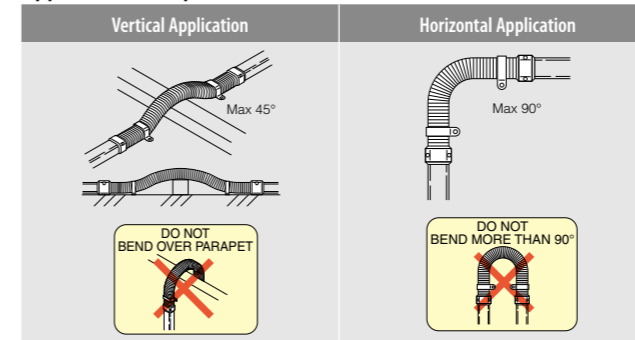
## SFS SADDLE for FLEXIBLE ELL SF



| Item No. | A   | B  | C  | E   | Pcs/Pkg |
|----------|-----|----|----|-----|---------|
| SFS- 77  | 75  | 63 | 18 | 4.2 | 60      |
| SFS-100  | 100 | 70 | 22 | 7   | 40      |
| SFS-140  | 146 | 85 | 22 | 7   | 40      |

\*Material ... SUS304

## Application Example for FLEXIBLE ELL



## SLIMDUCT SD series

### Specifications

|                   |  |
|-------------------|--|
| Temperature Range | -20 ~ 60°C   |
| Application       | Wall Mounted   |
| Material          | Rigid Polyvinyl Chloride (Flame Retardant)<br>*Excludes some items |
| Color             | □ □ □ □ ■  |

\*Excludes some items.

Most components are PVC. When other materials are used, they will be listed under the component description.

The table below shows the maximum size piping combinations that can be stored in SLIMDUCT SD:

| Item No. | 10×10mm                                 | 10×20mm       | 20×20mm       |
|----------|---|---------------|---------------|
| SD- 77   | φ9.52×φ15.88                            | —             | —             |
| SD-100   | (φ19.05×φ22.22) or (φ6.35×φ9.52)×2 sets | φ9.52×φ19.05  | —             |
| SD-140   | (φ6.35×φ12.70 and φ9.52×φ15.88)×2 sets  | φ19.05×φ31.75 | φ12.70×φ28.58 |

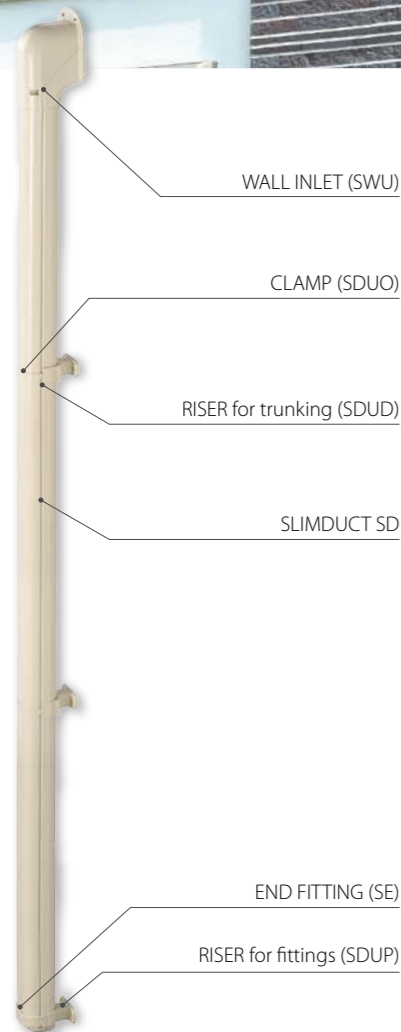
\*Piping system includes DRAIN HOSE (DH-16).

### Caution

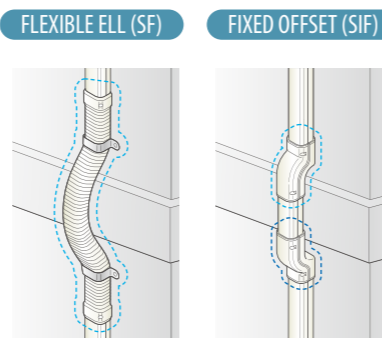
- SLIMDUCT SD IS NOT WATERPROOF. To waterproof, seal all longitudinal and lateral seams, screw heads and wall penetration with weatherproof sealant or putty.
- SLIMDUCT SD trunking and fittings are suitable for use and storage within a temperature range of -20°C to 60°C. Deformation may occur at temperatures exceeding 60°C. Protect SLIMDUCT installation from direct and radiant heat.
- When attaching SLIMDUCT to wall, USE ONLY PAN HEAD SCREWS. DO NOT USE FLAT HEAD OR COUNTERSUNK SCREWS AS THEY CAN EXERT TOO MUCH PRESSURE AND CRACK THE PVC MATERIAL.
- Use of impact screwdrivers to install SLIMDUCT to wall and to tighten fixing screws on fittings is highly discouraged as they can easily overtighten the screws and crack the PVC material. Use hand screwdrivers for precise torque control.
- Use SL-300 STRAP KIT to retain piping inside trunking.

Color Variation: □...White, □...Ivory, □...Gray, ■...Brown, ■...Black  
Trunking System (For Residential Use)

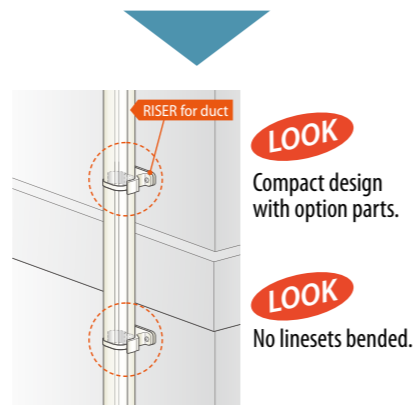
# SLIMDUCT™ SD - Elevating System



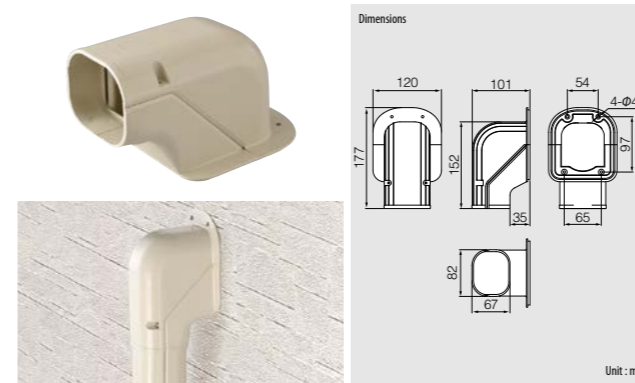
Traditional Installation



Elevating System



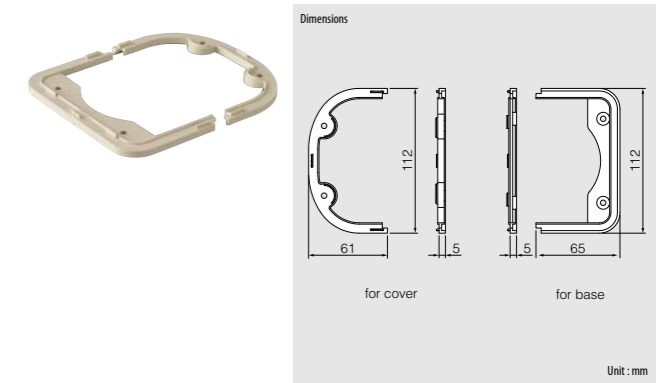
## SWU WALL INLET



| Item No. | Color Variation | Pcs/Pkg |
|----------|-----------------|---------|
| SWU-77-I | □               | 100     |

\*Material ... PVC

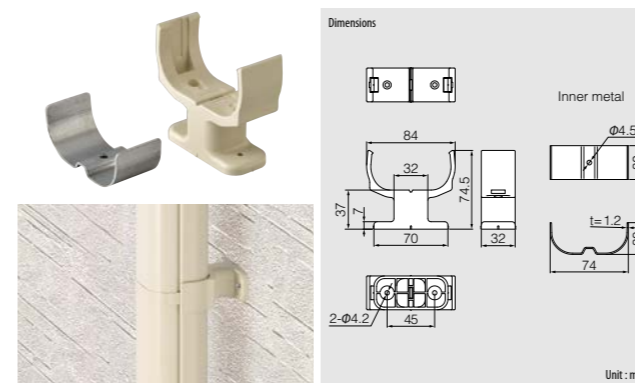
## SWUS HEIGHT ADJUSTER for SWU



| Item No.  | Color Variation | Pcs/Pkg |
|-----------|-----------------|---------|
| SWUS-77-I | □               | 100     |

\*Material ... PVC

## SDUD RISER for trunking



| Item No.  | Color Variation | Pcs/Pkg |
|-----------|-----------------|---------|
| SDUD-77-I | □               | 50      |

\*Material ... AES  
\*Inner metal ... ZAM

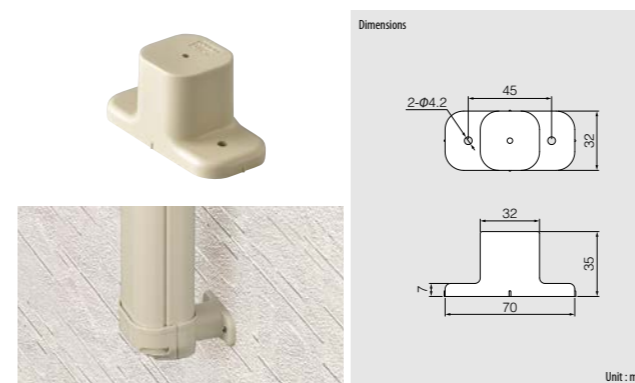
## SDUO CLAMP



| Item No.  | Color Variation | Pcs/Pkg |
|-----------|-----------------|---------|
| SDUO-77-I | □               | 200     |

\*Material ... SUS  
\*Coated ... Ivory color

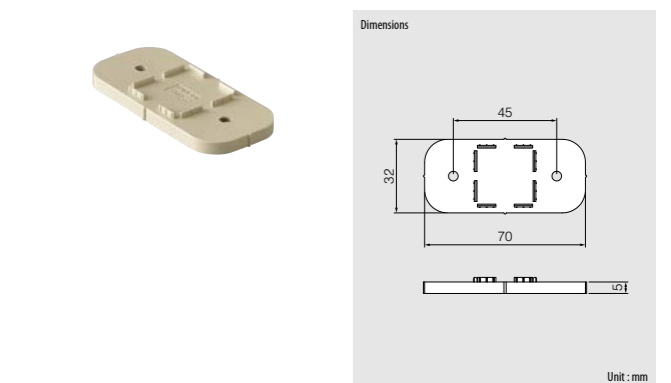
## SDUP RISER for fittings



| Item No.  | Color Variation | Pcs/Pkg |
|-----------|-----------------|---------|
| SDUP-77-I | □               | 50      |

\*Material ... AES

## SDUS HEIGHT ADJUSTER for SDUD



| Item No.  | Color Variation | Pcs/Pkg |
|-----------|-----------------|---------|
| SDUS-77-I | □               | 100     |

\*Material ... AES

# SLIMDUCT™ MD



Stylishly designed, SLIMDUCT MD series will compliment any interior or exterior design scheme

**Innovation** Discreet Interior Design

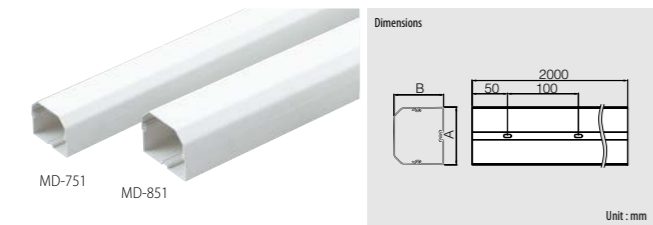
**No Visible Screws**  
Blend in well with the overall color scheme of the interior of any room.



**Function** Excellent Performance

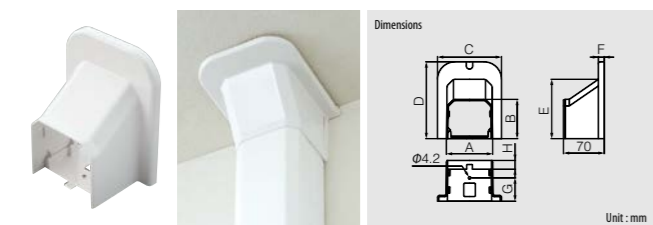
**Flame Retardant**  
SLIMDUCT MD is made from flame retardant materials\*.  
\*Excludes some items.

## MD SLIMDUCT MD Straight trunking



| Item No. | Color Variation | A  | B  | Pcs/Pkg |
|----------|-----------------|----|----|---------|
| MD-751-W | □               | 75 | 65 | 5       |
| MD-851   | □               | 85 | 70 | 5       |

## MP SOFFIT INLET



| Item No. | Color Variation | A  | B    | C   | D   | E   | F  | G  | H  | Pcs/Pkg |
|----------|-----------------|----|------|-----|-----|-----|----|----|----|---------|
| MP-75-W  | □               | 80 | 67.5 | 110 | 132 | 102 | 8  | 40 | 15 | 20      |
| MP-85    | □               | 92 | 73   | 115 | 135 | 110 | 10 | 40 | 15 | 10      |

## MK 90° FLAT ELL



| Item No. | Color Variation | A  | B  | C  | D   | Pcs/Pkg |
|----------|-----------------|----|----|----|-----|---------|
| MK-75-W  | □               | 80 | 68 | 74 | 114 | 20      |
| MK-85    | □               | 90 | 73 | 79 | 124 | 10      |

## MJ COUPLER



| Item No. | Color Variation | A  | B    | Pcs/Pkg |
|----------|-----------------|----|------|---------|
| MJ-75-W  | □               | 80 | 67.5 | 20      |
| MJ-85    | □               | 90 | 72.5 | 10      |

## MS GASKET

| Item No. | Color Variation | A    | B   | C  | D  | E  | Pcs/Pkg |
|----------|-----------------|------|-----|----|----|----|---------|
| MS-75    | □               | 24.5 | 90  | 82 | 70 | 74 | 20      |
| MS-85    | □               | 24.5 | 100 | 92 | 75 | 79 | 20      |

\*Material ... Main part: PVC Flange: Synthetic rubber  
\*The MS may not be suitable for use with indoor A/C units from all manufacturers. A crevice is made when installation to an attachment part with level difference or the curved surface beyond R25.

## MCI 90° INSIDE VERTICAL ELL



| Item No. | Color Variation | A  | B  | C  | Pcs/Pkg |
|----------|-----------------|----|----|----|---------|
| MCI-75-W | □               | 80 | 90 | 43 | 20      |
| MCI-85   | □               | 90 | 94 | 54 | 10      |

## MCO 90° OUTSIDE VERTICAL ELL



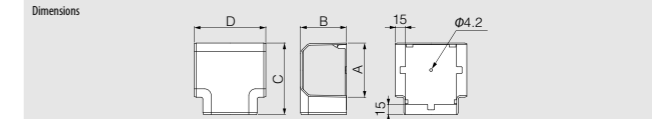
| Item No. | Color Variation | A  | B  | C   | Pcs/Pkg |
|----------|-----------------|----|----|-----|---------|
| MCO-75-W | □               | 80 | 68 | 103 | 20      |
| MCO-85   | □               | 90 | 73 | 109 | 10      |

## MKF 45° FLAT ELL



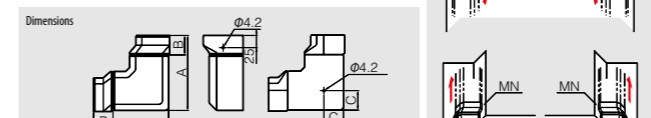
| Item No. | Color Variation | A  | B  | C  | D  | Pcs/Pkg |
|----------|-----------------|----|----|----|----|---------|
| MKF-75-W | □               | 80 | 70 | 63 | 30 | 20      |
| MKF-85   | □               | 90 | 75 | 68 | 31 | 10      |

## MT TEE



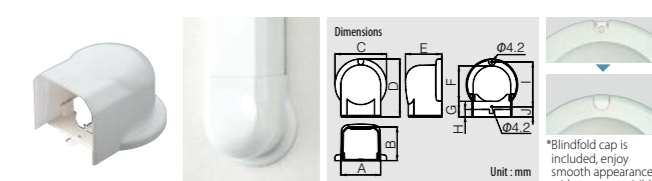
| Item No. | Color Variation | A  | B  | C   | D   | Pcs/Pkg |
|----------|-----------------|----|----|-----|-----|---------|
| MT-75-W  | □               | 80 | 68 | 105 | 105 | 10      |
| MT-85    | □               | 90 | 73 | 115 | 115 | 10      |

## MN 90° TWIST ELBOW



| Item No. | Color Variation | A   | B  | C  | Pcs/Pkg |
|----------|-----------------|-----|----|----|---------|
| MN-75-W  | □               | 154 | 40 | 40 | 5       |
| MN-85    | □               | 169 | 45 | 45 | 5       |

## MW WALL INLET



| Item No. | Color Variation | A  | B    | C   | D     | E  | F  | G  | H  | I     | J  | Pcs/Pkg |
|----------|-----------------|----|------|-----|-------|----|----|----|----|-------|----|---------|
| MW-75-W  | □               | 80 | 67.5 | 103 | 116   | 73 | 71 | 31 | 15 | 90    | 20 | 20      |
| MW-85    | □               | 90 | 72.5 | 123 | 128.5 | 76 | 83 | 27 | 15 | 102.5 | 20 | 10      |

### SLIMDUCT MD series

**Specifications**

|                   |   |
|-------------------|---|
| Temperature Range | -20 ~ 60°C  |
| Application       | Wall Mounted  |
| Material          | Rigid Polyvinyl Chloride (Flame Retardant) *Excludes some items |

The table below shows the maximum size piping combinations that can be run in SLIMDUCT MD:

| Item No. | Insulation Thickness                  | 10x10mm   |
|----------|---------------------------------------|---|
| MD-751-W | 6.35x9.52 - 6.35x12.70 + DSH-14       |   |
| MD-851   | Ventilation hose (O.D. less than φ37) | + 6.35x9.52 - 6.35x12.70 + DSH-14<br>or 6.35x9.52 - 9.52x15.88 + DSH-14 |



# SLIMDUCT™ PD



## Innovative New Design

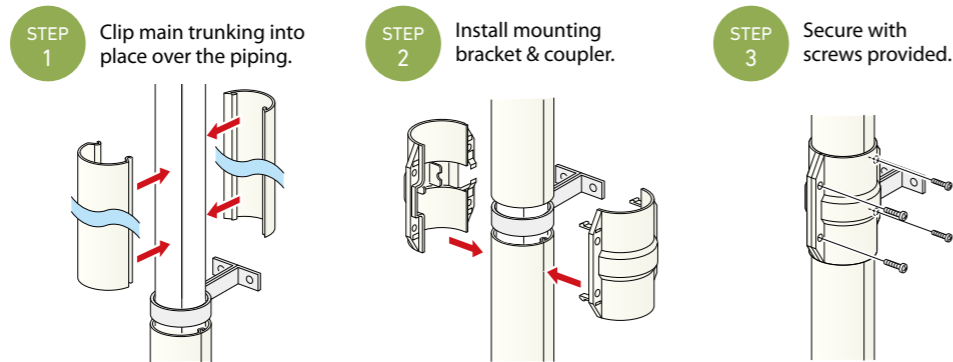
Provides easy mounting and elevates trunking system from wall surface.

## Light & Tough

UV & weather resistant heavy duty PVC construction resists deformation.

## Easy Installation

All trunking and fittings disassemble for ease of installation, and mount with commercially available standard wall mounted with our brackets (Ref. Page 18).



## Specifications

|                   |   |
|-------------------|---|
| Application       | Elevate piping from wall, deck and ceiling surface. |
| Temperature Range | -20 ~ 60°C (Surface Temperature)                    |
| Material          | Rigid Polyvinyl Chloride (Flame Retardant)          |
| Color             | Ivory   |

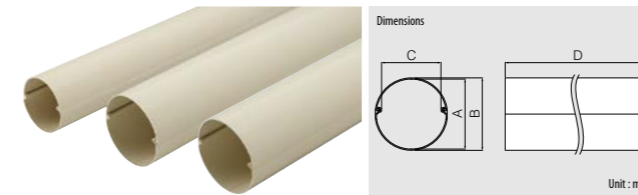
\*PDL CLIP is SUS304 Stainless Steel.

## SLIMDUCT PD Maximum Piping Combinations:

| Item No. | Applicable bracket size (Ref. Page 18) | Insulation thickness             |               |               |
|----------|--|----------------------------------|---------------|---------------|
|          |  | 10×10mm                          | 10×20mm       | 20×20mm       |
| PD- 90   | A10363-0087                            | φ15.88×φ28.58                    | φ9.52×φ19.05  | -             |
| PD-120   | A10363-0091                            | φ19.05×φ38.10                    | φ19.05×φ31.75 | φ9.52×φ19.05  |
| PD-140   | A10363-0104                            | φ25.40×φ53.98<br>φ19.05×φ31.75×2 | φ22.22×φ44.45 | φ19.05×φ31.75 |

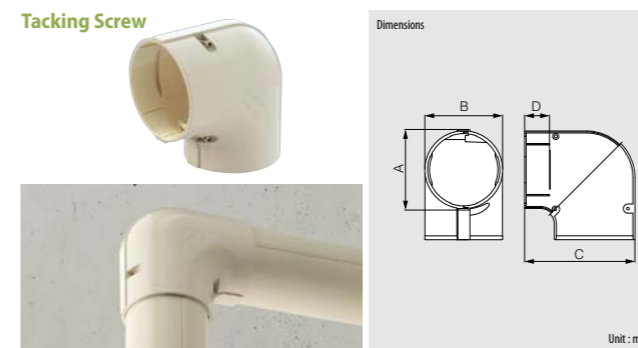
## PD SLIMDUCT PD

Straight trunking



| Item No.      | Color Variation | A    | B (O.D.) | C (I.D.) | D    | Pcs/Pkg |
|---------------|-----------------|------|----------|----------|------|---------|
| PD- 90-1000-I | □               | φ 89 | φ 92     | 75       | 960  | 5       |
| PD- 90-1500-I | □               | φ 89 | φ 92     | 75       | 1460 | 5       |
| PD- 90-2000-I | □               | φ 89 | φ 92     | 75       | 2000 | 5       |
| PD-120-1000-I | □               | φ117 | φ120     | 103      | 960  | 5       |
| PD-120-1500-I | □               | φ117 | φ120     | 103      | 1460 | 5       |
| PD-120-2000-I | □               | φ117 | φ120     | 103      | 2000 | 5       |
| PD-140-2000-I | □               | φ138 | φ142     | 124      | 2000 | 5       |

## PDE 90° ELL



| Item No.  | Color Variation | A   | B   | C   | D  | Pcs/Pkg |
|-----------|-----------------|-----|-----|-----|----|---------|
| PDE- 90-I | □               | 104 | 100 | 142 | 32 | 10      |
| PDE-120-I | □               | 132 | 128 | 172 | 32 | 5       |
| PDE-140-I | □               | 154 | 150 | 203 | 40 | 5       |

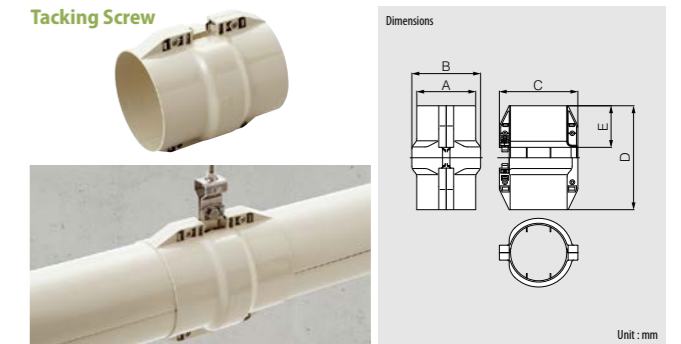
## PDT TEE



PDT-90

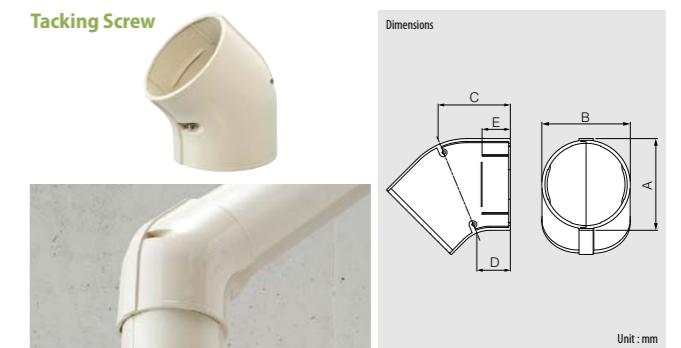
PDT-120  
PDT-140  
With 2 reducers

## PDB-N MOUNTING COUPLER

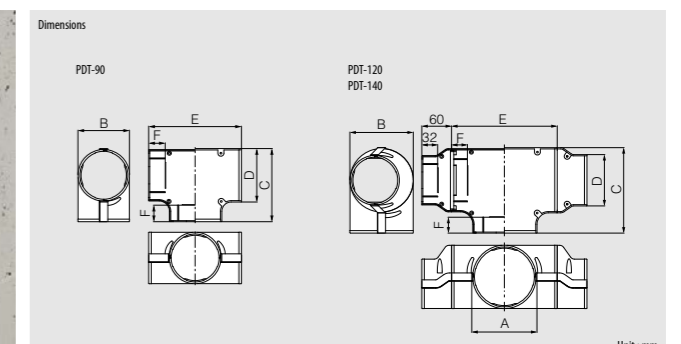


| Item No.   | Color Variation | A    | B   | C   | D   | E  | Pcs/Pkg |
|------------|-----------------|------|-----|-----|-----|----|---------|
| PDB- 90N-I | □               | φ 97 | 112 | 127 | 130 | 49 | 10      |
| PDB-120N-I | □               | φ125 | 140 | 155 | 130 | 49 | 5       |
| PDB-140N-I | □               | φ147 | 166 | 184 | 136 | 52 | 5       |

## PDF 45° ELL



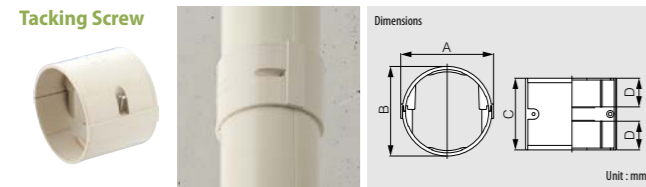
| Item No.  | Color Variation | A   | B   | C   | D  | E  | Pcs/Pkg |
|-----------|-----------------|-----|-----|-----|----|----|---------|
| PDF- 90-I | □               | 104 | 100 | 82  | 38 | 32 | 10      |
| PDF-120-I | □               | 132 | 128 | 93  | 38 | 32 | 5       |
| PDF-140-I | □               | 154 | 150 | 111 | 46 | 40 | 5       |



| Item No.  | Color Variation | A   | B   | C   | D   | E   | F  | Pcs/Pkg |
|-----------|-----------------|-----|-----|-----|-----|-----|----|---------|
| PDT- 90-I | □               | 104 | 100 | 142 | 104 | 180 | 32 | 10      |
| PDT-120-I | □               | 132 | 128 | 173 | 104 | 213 | 32 | 5       |
| PDT-140-I | □               | 154 | 150 | 203 | 132 | 251 | 40 | 5       |

Color Variation: □...White, □...Ivory, □...Gray, □...Brown, □...Black  
Trunking System (For Commercial Use)

**PDJ STANDARD COUPLER**



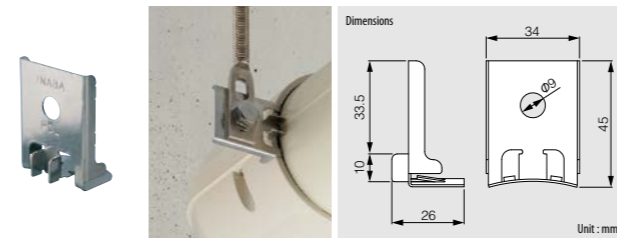
| Item No.         | Color Variation | A   | B   | C  | D  | Pcs/Pkg |
|------------------|-----------------|-----|-----|----|----|---------|
| <b>PDJ-90-I</b>  | □               | 104 | 100 | 80 | 32 | 20      |
| <b>PDJ-120-I</b> | □               | 132 | 128 | 80 | 32 | 10      |
| <b>PDJ-140-I</b> | □               | 154 | 150 | 96 | 40 | 10      |

**PDC END FITTING**



| Item No.         | Color Variation | A   | B   | C  | D  | E  | Pcs/Pkg |
|------------------|-----------------|-----|-----|----|----|----|---------|
| <b>PDC-90-I</b>  | □               | 104 | 100 | 61 | 46 | 80 | 20      |
| <b>PDC-120-I</b> | □               | 132 | 128 | 86 | 57 | 80 | 10      |
| <b>PDC-140-I</b> | □               | 154 | 150 | 94 | 60 | 96 | 10      |

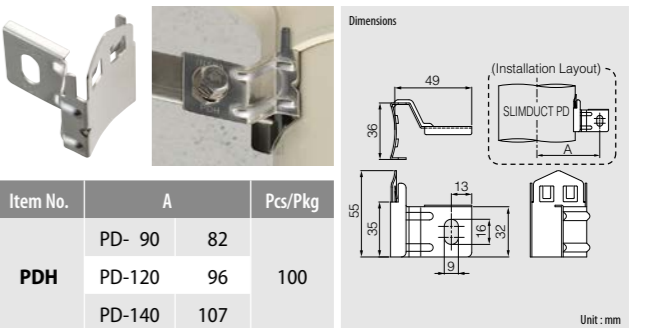
**PDL FITTING MOUNT CLIP**



| Item No.   | Pcs/Pkg |
|------------|---------|
| <b>PDL</b> | 200     |

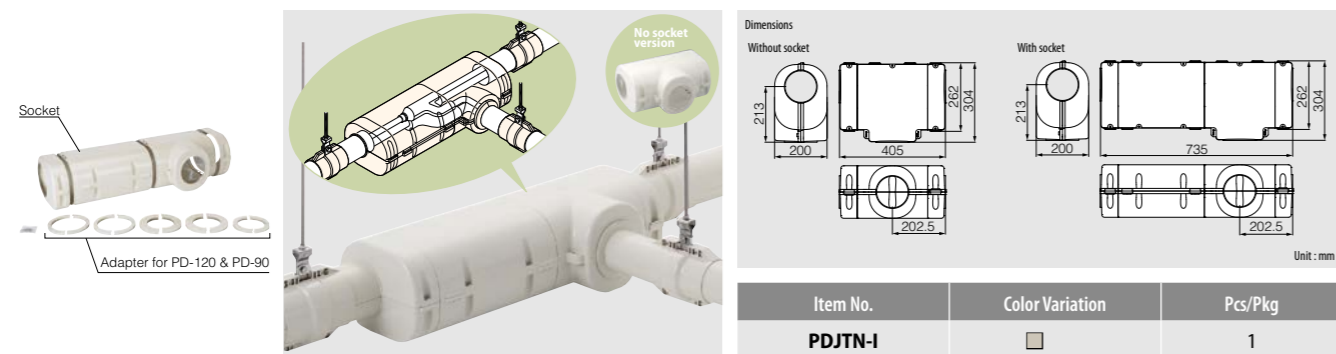
\*Material ... SUS  
\*Available to use on the back of connection fitting as well.

**PDH FITTING MOUNT CLIP FOR BACK OF CONNECTION FITTINGS**



\*Material ... SUS  
\*Available to use on the back of connection fittings.

**PDJTN T-BRANCH**



| Item No.       | Color Variation | Pcs/Pkg |
|----------------|-----------------|---------|
| <b>PDJTN-I</b> | □               | 1       |

**PWP-N WALL FLANGE**



| Item No.          | Color Variation | A   | B   | C   | D   | Pcs/Pkg |
|-------------------|-----------------|-----|-----|-----|-----|---------|
| <b>PWP-90N-I</b>  | □               | 99  | 134 | 158 | 309 | 30      |
| <b>PWP-120N-I</b> | □               | 127 | 162 | 186 | 397 | 20      |
| <b>PWP-140N-I</b> | □               | 149 | 184 | 208 | 470 | 20      |

\*Decorative Packing is not waterproofing.

**PSP WALL FLANGE**



| Item No.         | Color Variation | A   | B   | C   | Pcs/Pkg |
|------------------|-----------------|-----|-----|-----|---------|
| <b>PSP-90-I</b>  | □               | 88  | 134 | 158 | 30      |
| <b>PSP-120-I</b> | □               | 116 | 162 | 186 | 20      |

\*For connection to other products except straight PD duct.

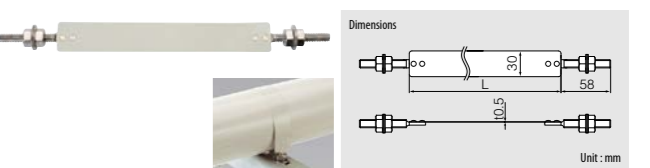
**PDI REDUCER**



Application  
• Connection between PD-90 and 120 size fittings, and between PD-120 and 140 size fittings.

| Item No.             | Color Variation | A   | B   | C   | Pcs/Pkg |
|----------------------|-----------------|-----|-----|-----|---------|
| <b>PDI-120-90-I</b>  | □               | 104 | 132 | 128 | 20      |
| <b>PDI-140-120-I</b> | □               | 132 | 154 | 150 | 20      |

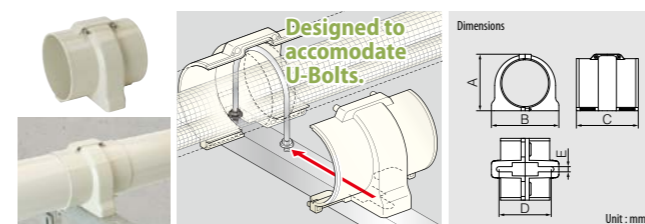
**PDU FIXING SADDLE**



| Item No.         | Trunking Size | L   | Pcs/Pkg |
|------------------|---------------|-----|---------|
| <b>PDU-90-I</b>  | PD-90         | 211 | 30      |
| <b>PDU-120-I</b> | PD-120        | 283 | 30      |
| <b>PDU-140-I</b> | PD-140        | 339 | 30      |

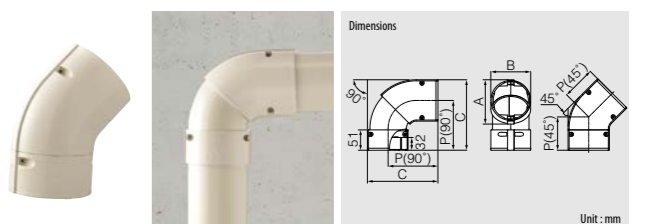
\*Material ... SUS  
\*In case of vertical piping, fix each parts using such as Fitting Mount Clip PDH, etc.

**PDBK MOUNTING COUPLER FOR U-BOLTS**



| Item No.          | Color Variation | A   | B   | C   | D   | E    | Pcs/Pkg |
|-------------------|-----------------|-----|-----|-----|-----|------|---------|
| <b>PDBK-90-I</b>  | □               | 112 | 133 | 122 | 103 | 10.2 | 10      |
| <b>PDBK-120-I</b> | □               | 140 | 159 | 122 | 129 | 10.2 | 5       |

**PDKS ADJUSTABLE ELBOW**



| Item No.          | Color Variation | A   | B   | C   | P(90°) | P(45°) | Pcs/Pkg |
|-------------------|-----------------|-----|-----|-----|--------|--------|---------|
| <b>PDKS-90-I</b>  | □               | 104 | 100 | 177 | 125    | 83.5   | 10      |
| <b>PDKS-120-I</b> | □               | 132 | 128 | 209 | 143.5  | 91.5   | 5       |

**PSDR PD-SD COUPLER**



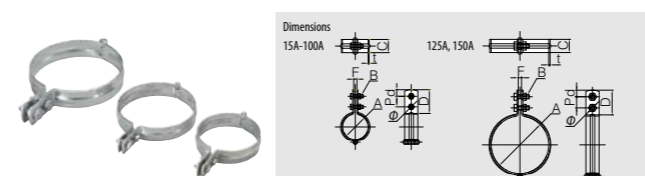
| Item No.              | Color Variation | A   | B   | C  | Pcs/Pkg |
|-----------------------|-----------------|-----|-----|----|---------|
| <b>PSDR-90-100-I</b>  | □               | 110 | 100 | 90 | 10      |
| <b>PSDR-120-140-I</b> | □               | 149 | 128 | 95 | 10      |

| Item No.         | SLIMDUCT PD | SLIMDUCT SD         |
|------------------|-------------|---------------------|
| <b>PSP-90-I</b>  | PD-90 Duct  | Fittings for SD-100 |
| <b>PSP-120-I</b> | PD-120 Duct | Fittings for SD-140 |

\*If support is necessary, use Fitting Mount Clip PDL or PDH.  
Color Variation: □...White, □...Ivory, □...Gray, □...Brown, □...Black  
<https://www.inaba-denko.com/en/>

**A10363 PIPE CLAMP**

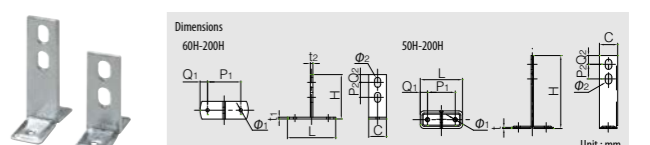
Product manufactured by AKAGI CO., LTD.



| Item No.                            | A     | B       | C  | D  | d    | F | P  | t   | φ     | Pcs/Pkg |
|-------------------------------------|-------|---------|----|----|------|---|----|-----|-------|---------|
| <b>A10363-0087 (For PDB-90N-I)</b>  | 89.1  | M 6x20L | 25 | 45 | 12.5 | 6 | 20 | 2.3 | φ 7.0 | 1       |
| <b>A10363-0091 (For PDB-120N-I)</b> | 114.3 | M 6x20L | 25 | 45 | 12.5 | 6 | 20 | 2.3 | φ 7.0 | 1       |
| <b>A10363-0104 (For PDB-140N-I)</b> | 139.8 | M10x30L | 32 | 65 | 16   | 8 | 27 | 3.2 | φ11.0 | 1       |

**A11214/A10405 TEE BRACKET**

Product manufactured by AKAGI CO., LTD.



| Item No.  | C  | H  | L  | P1 | P2 | Q1   | Q2 | t1  | t2  | φ1  | φ2       | φ3 | Pcs/Pkg |
|---|----|----|----|----|----|------|----|-----|-----|-----|----------|----|---------|
| <b>A11214-0039 (60 x 25mm width &lt;For PD-90, 120&gt;)</b> | 25 | 60 | 58 | 38 | 20 | 10   | 12 | 1.6 | —   | 4.5 | φ 9.0x14 | —  | 1       |
| <b>A11214-0043 (80 x 25mm width &lt;For PD-90, 120&gt;)</b> | 25 | 80 | 58 | 38 | 20 | 10   | 12 | 1.6 | —   | 4.5 | φ 9.0x14 | —  | 1       |
| <b>A10405-0479 (60 x 32mm width &lt;For PD-140&gt;)</b>     | 32 | 60 | 87 | 60 | 27 | 13.5 | 14 | 3.2 | 4.5 | 6.0 | φ11.0x18 | —  | 1       |
| <b>A10405-0483 (80 x 32mm width &lt;For PD-140&gt;)</b>     | 32 | 80 | 87 | 60 | 27 | 13.5 | 14 | 3.2 | 4.5 | 6.0 | φ11.0x18 | —  | 1       |

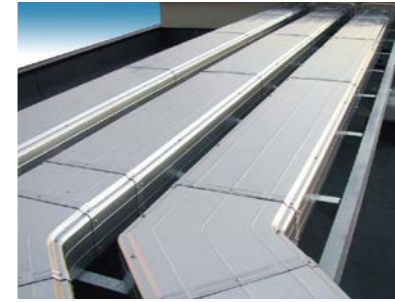
\*Please contact us for brackets with larger height.  
Color Variation: □...White, □...Ivory, □...Gray, □...Brown, □...Black  
Trunking System (For Commercial Use)

# SLIMDUCT™ RD



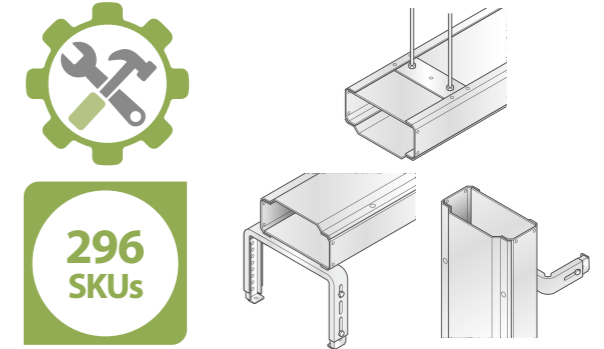
## Architectural Trunking Cover

The professional and aesthetic finish of SLIMDUCT RD blends perfectly in with any type of commercial buildings, which exterior will be enhanced by the sleek appearance of finished installation.



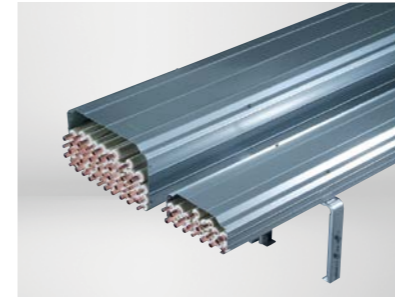
## Easy Installation

No special tools are required to assemble and connect SLIMDUCT RD, and it is assembled by only two kinds of screws.



## Ideal Linesets Protector

Protects linesets and related pipes/cables for a long time, which enables to preserve energy efficiency of air conditioners.



## Load Capacity

SLIMDUCT RD, WALKWAY TYPE (RDW) has an embossed anti-slip surface. This permits maintenance personnel to walk on ducts without damaging during routine maintenance of any mechanical equipment on the rooftop.



## Durability and Weather Resistance

SLIMDUCT RD is made from "ZAM" which offers superior resistance over stainless steel even in highly corrosive atmospheres such as sea air.

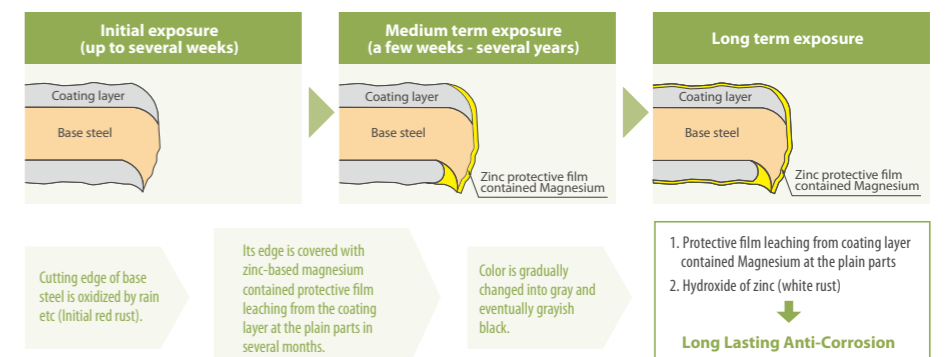


Appearances of cut edges after salt spray test  
(Thickness: 3.2 mm, coating weight: 120/120 g/m<sup>2</sup>, untreated)

| Lapse of time   | 100h | 1,000h | 5,000h |
|---|------|--------|--------|
| A highly corrosion resistant hot dip galvanized steel |      |        |        |
| 55% Al-Zn alloy coated steel                          |      |        |        |
| Zn-5% Al alloy coated steel                           |      |        |        |
| Galvanized steel                                      |      |        |        |

## Scratch/Abrasion Resistance

The Coating layer contains a higher proportion of Magnesium and is more rigid than that of a standard galvanized or Galvalum sheet. It offers superior scratch/abrasion resistance as well as advanced corrosion resistance to ensure that any scratch or cut edges will be covered by a zinc protective film in a few months.



## SPECIAL

## SLIMDUCT RD's innovative trunking for air-conditioning piping combines BEAUTY with DURABILITY.

Straight lines and fixed angles improve the aesthetics on the appearance of buildings and facilities. A large variety of unique fittings ensures a quick installation, helps reduce costs and provide durability.

## Multiple Application

Use of many fittings available such as risers, vertical mountings, and under-slab mountings enables SLIMDUCT RD to be easily customized on-site during the installation process and to be installed in any orientation. \*Excludes some sizes.



## Compact Design

Because of its compact design, SLIMDUCT RD requires less space than a traditional racking/jacketing system.



# Insulated Copper Tube/Pipe



## PC/NC-JE PAIRCOIL • NEOCOIL



### PAIRCOIL 20M

| Item No.    | Copper tube (O.D. × Length) | Copper thickness (mm) | Insulation thickness (mm) | Pcs/Pkg |
|-------------|-----------------------------|-----------------------|---------------------------|---------|
| PC-2320-JE  | 1/4×3/8×20m                 | 0.8×0.8               | 8× 8                      | 1       |
| PC-2420-JE  | 1/4×1/2×20m                 | 0.8×0.8               | 8×10                      | 1       |
| PC-2520-JE  | 1/4×5/8×20m                 | 0.8×1.0               | 8×10                      | 1       |
| PC-3520-JE  | 3/8×5/8×20m                 | 0.8×1.0               | 8×10                      | 1       |
| PC-3620Z-JE | 3/8×3/4×20m                 | 0.8×1.2               | 8×10                      | 1       |

### NEOCOIL 20M

| Item No.   | Copper tube (O.D. × Length) | Copper thickness (mm) | Insulation thickness (mm) | Pcs/Pkg |
|------------|-----------------------------|-----------------------|---------------------------|---------|
| NC-220-JE  | 1/4×20m                     | 0.8                   | 8                         | 2       |
| NC-320-JE  | 3/8×20m                     | 0.8                   | 8                         | 2       |
| NC-420-JE  | 1/2×20m                     | 0.8                   | 10                        | 1       |
| NC-520-JE  | 5/8×20m                     | 1.0                   | 10                        | 1       |
| NC-620Z-JE | 3/4×20m                     | 1.2                   | 10                        | 1       |

### PAIRCOIL 30M

| Item No.   | Copper tube (O.D. × Length) | Copper thickness (mm) | Insulation thickness (mm) | Pcs/Pkg |
|------------|-----------------------------|-----------------------|---------------------------|---------|
| PC-2330-JE | 1/4×3/8×30m                 | 0.8×0.8               | 8× 8                      | 1       |
| PC-2430-JE | 1/4×1/2×30m                 | 0.8×0.8               | 8×10                      | 1       |
| PC-2530-JE | 1/4×5/8×30m                 | 0.8×1.0               | 8×10                      | 1       |

### Competitive Model

### PAIRCOIL U TYPE 20M

| Item No.    | Copper tube (O.D. × Length) | Copper thickness (mm) | Insulation thickness (mm) | Pcs/Pkg |
|-------------|-----------------------------|-----------------------|---------------------------|---------|
| PC-2320U-JE | 1/4×3/8×20m                 | 0.61×0.61             | 8× 8                      | 1       |
| PC-2420U-JE | 1/4×1/2×20m                 | 0.61×0.61             | 8×10                      | 1       |
| PC-2520U-JE | 1/4×5/8×20m                 | 0.61×0.81             | 8×10                      | 1       |

### NEOCOIL U TYPE 20M

| Item No.   | Copper tube (O.D. × Length) | Copper thickness (mm) | Insulation thickness (mm) | Pcs/Pkg |
|------------|-----------------------------|-----------------------|---------------------------|---------|
| NC-520U-JE | 5/8×20m                     | 0.81                  | 10                        | 1       |
| NC-620U-JE | 3/4×20m                     | 1.0                   | 10                        | 1       |

### PAIRCOIL U TYPE 30M

| Item No.    | Copper tube (O.D. × Length) | Copper thickness (mm) | Insulation thickness (mm) | Pcs/Pkg |
|-------------|-----------------------------|-----------------------|---------------------------|---------|
| PC-2330U-JE | 1/4×3/8×30m                 | 0.61×0.61             | 8× 8                      | 1       |
| PC-2430U-JE | 1/4×1/2×30m                 | 0.61×0.61             | 8×10                      | 1       |

Quality

## High-Quality Materials

### Excellent Thermal Resistance

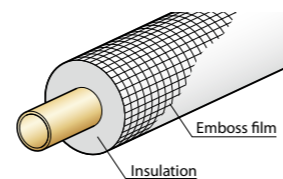
All insulated tube and pipe products are fabricated with high grade insulation with a thermal resistance up to 120°C.

### Flame Retardant

Our insulation is made of self-extinguishing materials equivalent to the European Flame retardant standard.

### Tear Resistant Outer Covering

Tough embossed outer covering is easy to tape and prevents damage during installation. In addition, PE foam has good pressure resistance and it's not easy to be teared, especially at the hanging point.

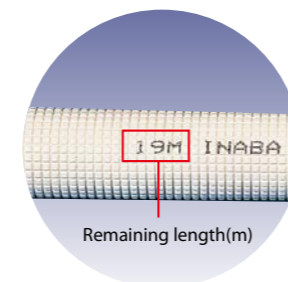


Function

## Upgrade Working Efficiency

### Length Markings

For 20m & 30m Coil, consecutively numbered length marking are clearly printed at 1 meter intervals on insulation surface to indicate remaining length.



### Insulation Specifications

Chemical cross-linked foamed polyethylene enclosed by a plastic film with an embossed surface.

| Item                                   | Value                      | Item                                       | Value  |
|--|----------------------------|--|--|
| Thermal Conductivity (Ave. 23°C)       | 0.037 W/m·K                | Moisture Permeability (per 25mm thickness) | 20 ng/m <sup>2</sup> ·s·Pa or less               |
| Tensile Strength                       | 48.2 N/cm <sup>2</sup>     | Temperature Range                          | -40°C~120°C                                      |
| Water Absorption Volume                | 0.06 g/100 cm <sup>2</sup> | Flame Retardant (Equivalent to)            | EN-13501-1<br>DIN 4102-1, B1 class<br>UL-94 HF-1 |
| Thickness Shrinkage Ratio (Ave. 120°C) | 2.0 %                      |  |  |

\*This data is test outcome, not guaranteed value.

PC/NC-UV PAIRCOIL • NEOCOIL [UV RESISTANT]



PAIRCOIL 20M, 30M

| Item No.    | Copper tube (O.D. × Length) | Copper thickness (mm) | Insulation thickness (mm) | Pcs/Pkg |
|-------------|-----------------------------|-----------------------|---------------------------|---------|
| PC-2320-UV  | 1/4×3/8×20m                 | 0.8×0.8               | 8× 8                      | 1       |
| PC-2420-UV  | 1/4×1/2×20m                 | 0.8×0.8               | 8×10                      | 1       |
| PC-2520-UV  | 1/4×5/8×20m                 | 0.8×1.0               | 8×10                      | 1       |
| PC-3520-UV  | 3/8×5/8×20m                 | 0.8×1.0               | 8×10                      | 1       |
| PC-3620Z-UV | 3/8×3/4×20m                 | 0.8×1.2               | 8×10                      | 1       |

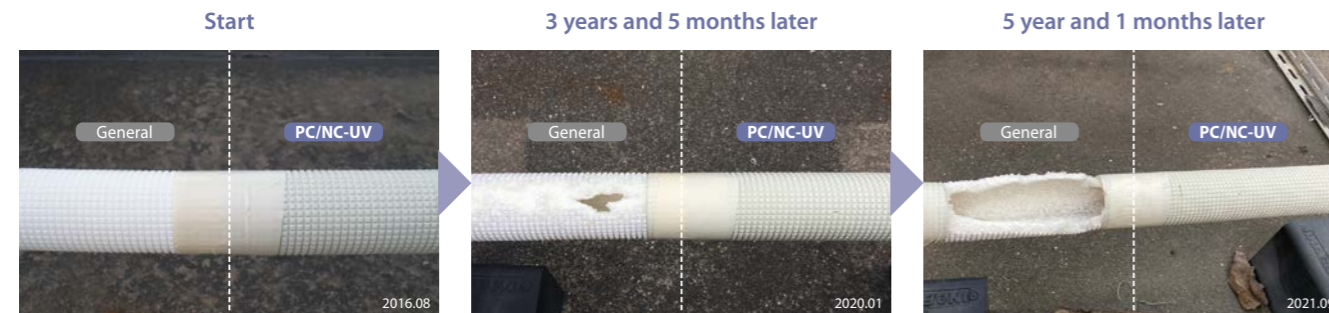
PAIRCOIL U TYPE 20M

| Item No.    | Copper tube (O.D. × Length) | Copper thickness (mm) | Insulation thickness (mm) | Pcs/Pkg |
|-------------|-----------------------------|-----------------------|---------------------------|---------|
| PC-2320U-UV | 1/4×3/8×20m                 | 0.61×0.61             | 8× 8                      | 1       |
| PC-2420U-UV | 1/4×1/2×20m                 | 0.61×0.61             | 8×10                      | 1       |
| PC-2520U-UV | 1/4×5/8×20m                 | 0.61×0.81             | 8×10                      | 1       |

Very Strong Against Sunshine

Against sunshine, normally insulation material will get damaged and break. It will also affect AC performance and cause condensation problem. But our UV resistant type can stand for two times even without Taping or Duct Cover because of Super Protection Film. It can maintain good quality much longer.

Outdoor Exposure Test



A general PE insulation and our own UV product were both placed on the roof.

After 3 years and 5 months, the surface of the general insulation showed signs of damage and was partially corroded, while our UV product maintained its quality.

After 5 years and 1 month, the upper half of the general insulation completely deteriorated. Our UV product maintained the quality almost unaffected.

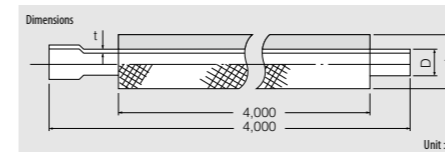
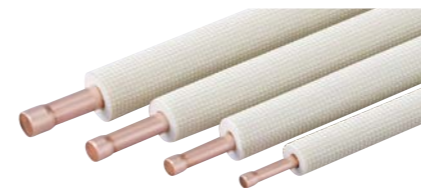
NC-20H NEOCOIL-20H



Insulation Thickness 20mm

| Item No.      | Copper tube (O.D. × Length) | Copper thickness (mm) | Insulation thickness (mm) | Pcs/Pkg |
|---------------|-----------------------------|-----------------------|---------------------------|---------|
| NC-220JE-20H  | 1/4×20m                     | 0.8                   | 20                        | 1       |
| NC-320JE-20H  | 3/8×20m                     | 0.8                   | 20                        | 1       |
| NC-420JE-20H  | 1/2×20m                     | 0.8                   | 20                        | 1       |
| NC-520JE-20H  | 5/8×20m                     | 1.0                   | 20                        | 1       |
| NC-620ZJE-20H | 3/4×20m                     | 1.2                   | 20                        | 1       |

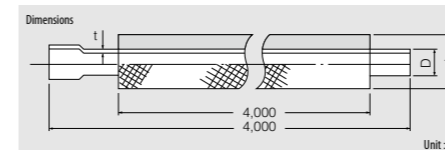
NH NEOPIPE 4M



| Item No.  | Copper tube |                  | Temper grade | Insulation  |                | Pcs/Pkg |
|-----------|-------------|------------------|--------------|-------------|----------------|---------|
|           | O.D. D      | Thickness t (mm) |              | O.D. d (mm) | Thickness (mm) |         |
| NH- 740JE | 7/8         | 1.0              | H            | 44          | 10             | 10      |
| NH- 840JE | 1           | 1.0              | H            | 47          | 10             | 8       |
| NH- 940JE | 1 1/8       | 1.0              | H            | 50          | 10             | 6       |
| NH-1040JE | 1 1/4       | 1.1              | H            | 53          | 10             | 6       |
| NH-1140JE | 1 3/8       | 1.2              | H            | 57          | 10             | 4       |
| NH-1240JE | 1 1/2       | 1.35             | H            | 60          | 10             | 4       |
| NH-1340JE | 1 5/8       | 1.45             | H            | 64          | 10             | 4       |
| NH-1440JE | 1 3/4       | 1.55             | H            | 66          | 10             | 4       |

\*Straight pipe with Temper grade H is not bendable by bending tools.

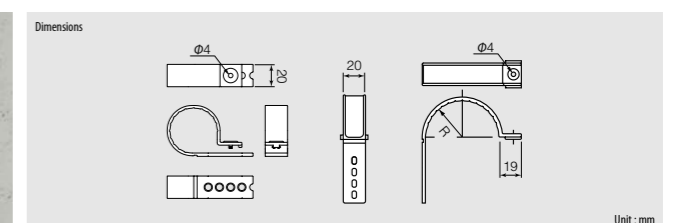
NH-20H NEOPIPE 4M-20H



| Item No.      | Copper tube |                  | Temper grade | Insulation  |                | Pcs/Pkg |
|---------------|-------------|------------------|--------------|-------------|----------------|---------|
|               | O.D. D      | Thickness t (mm) |              | O.D. d (mm) | Thickness (mm) |         |
| NH- 740JE-20H | 7/8         | 1.0              | H            | 64          | 20             | 8       |
| NH- 840JE-20H | 1           | 1.0              | H            | 67          | 20             | 6       |
| NH- 940JE-20H | 1 1/8       | 1.0              | H            | 70          | 20             | 4       |
| NH-1040JE-20H | 1 1/4       | 1.1              | H            | 73          | 20             | 4       |
| NH-1140JE-20H | 1 3/8       | 1.2              | H            | 76          | 20             | 4       |
| NH-1240JE-20H | 1 1/2       | 1.35             | H            | 80          | 20             | 4       |
| NH-1340JE-20H | 1 5/8       | 1.45             | H            | 84          | 20             | 2       |
| NH-1440JE-20H | 1 3/4       | 1.55             | H            | 86          | 20             | 2       |

\*Straight pipe with Temper grade H is not bendable by bending tools.

KS SINGLE SADDLE [for A/C Refrigerant Piping]



| Item No. | Color Variation | Effective Inside Diameter | Pcs/Pkg |
|----------|-----------------|---------------------------|---------|
| KS-20-I  | ■               | φ39 ~ φ45                 | 1000    |
| KS-24-I  | ■               | φ38 ~ φ50                 | 500     |

\*Material ... PE

Color Variation: □...White, ■...Ivory, ■...Gray, ■...Brown, ■...Black Insulated Copper Tube/Pipe

# Drain Hose & Accessories -Outdoor-



## DHQ DRAIN HOSE - Outdoor

UV Resistant Version!!

Portable carton with removable EASY-FEED flap



Double layered for outstanding durability

Accelerated Weather Resistance Test (Sunshine Weather Meter)

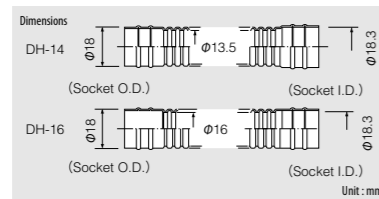


- Specifications**
- Cuff spacing ... 500mm
- Features**
- Double the UV resistance of the DH series.
  - High quality PE (LLDPE) material gives excellent corrosion resistance.

| Item No.      | Size    |           |        |           |          | Pcs/Pkg |
|---------------|---------|-----------|--------|-----------|----------|---------|
|               | Nominal | Hose I.D. | Length | Hose O.D. | Max O.D. |         |
| <b>DHQ-14</b> | φ14     | φ13.5     | 50m    | φ18.3     | φ22      | 8       |
| <b>DHQ-16</b> | φ16     | φ16       | 50m    | φ20.8     | φ22      | 6       |

## DH DRAIN HOSE - Standard

"Easy-feed" & portable package

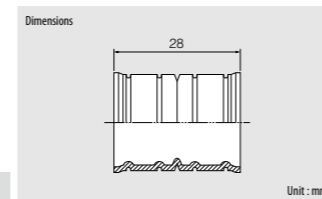


- Specifications**
- Cuff diameter accepts both 14mm and 16mm sizes.
  - Cuff spacing ... 500mm

| Item No.     | Size    |           |        |           |          | Pcs/Pkg |
|--------------|---------|-----------|--------|-----------|----------|---------|
|              | Nominal | Hose I.D. | Length | Hose O.D. | Max O.D. |         |
| <b>DH-14</b> | φ14     | φ13.5     | 50m    | φ18.3     | φ22      | 8       |
| <b>DH-16</b> | φ16     | φ16       | 50m    | φ20.8     | φ22      | 6       |

\*Material ... PE

## DHJ DRAIN HOSE COUPLER



- Purpose**
- To connect part of the cut drain hose.

| Item No.      | Compliant drain hose | O.D.  | Length | Pcs/Pkg |
|---------------|----------------------|-------|--------|---------|
| <b>DHJ-14</b> | DH-14 • DHQ-14       | φ21.9 | 28     | 100     |
| <b>DHJ-16</b> | DH-16 • DHQ-16       | φ24.4 | 28     | 100     |

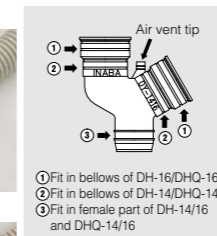
\*Material ... PE

## DY VENTED DRAIN WYE

Multiple uses of the size 14 & 16



LONG TYPE newly (lined-up) added

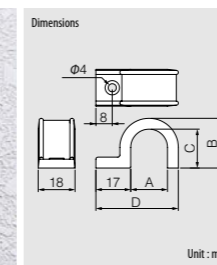
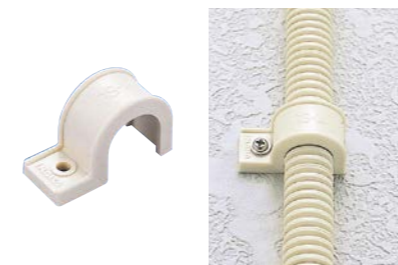


- Purpose**
- Joins 2 drain hoses.
- Features**
- Integral air vent promotes drainage flow.

| Item No.        | Compliant drain hose | Pcs/Pkg |
|-----------------|----------------------|---------|
| <b>DY-1416</b>  | DH-14/16, DHQ-14/16  | 100     |
| <b>DY-1416L</b> | DH-14/16, DHQ-14/16  | 100     |

\*Material ... PE

## DS DRAIN HOSE SADDLE

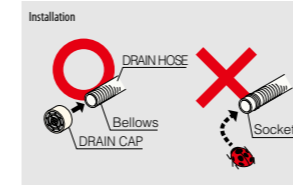
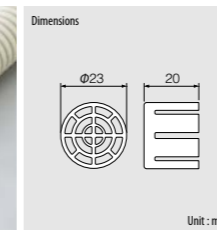


- Features**
- Attractive, compact, quick fitting.
  - Weather resistant.
  - Ivory color matches DRAIN HOSE.
  - Appearance matches SLIMDUCT SD/NSD/MD.

| Item No.     | Compliant drain hose | A    | B  | C    | D    | Pcs/Pkg |
|--------------|----------------------|------|----|------|------|---------|
| <b>DS-14</b> | DH-14 • DHQ-14       | 26.6 | 18 | 39.3 | 23.3 | 500     |
| <b>DS-16</b> | DH-16 • DHQ-16       | 28.6 | 20 | 41.3 | 25.3 | 500     |

\*Material ... PP

## DC DRAIN CAP

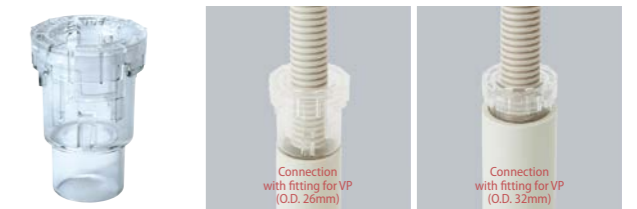


- Features**
- Prevents insects from entering DRAIN HOSE.
  - One-touch mounting to O.D. of DRAIN HOSE.
  - Fits both 14mm & 16mm hose.

| Item No.       | Compliant drain hose | Pcs/Pkg            |
|----------------|----------------------|--------------------|
| <b>DC-1416</b> | DRAIN HOSE φ14 • 16  | 50sets (2 pcs/set) |

\*Material ... PP

## NDA DRAIN HOSE ADAPTOR



- Features**
- NDA easily connects drain hose to NEO drain pipe coupler or VP/VE pipe coupler.
  - Only drain hose can be removed from coupler.
  - Transparent body permits easy check for drain hose connection.

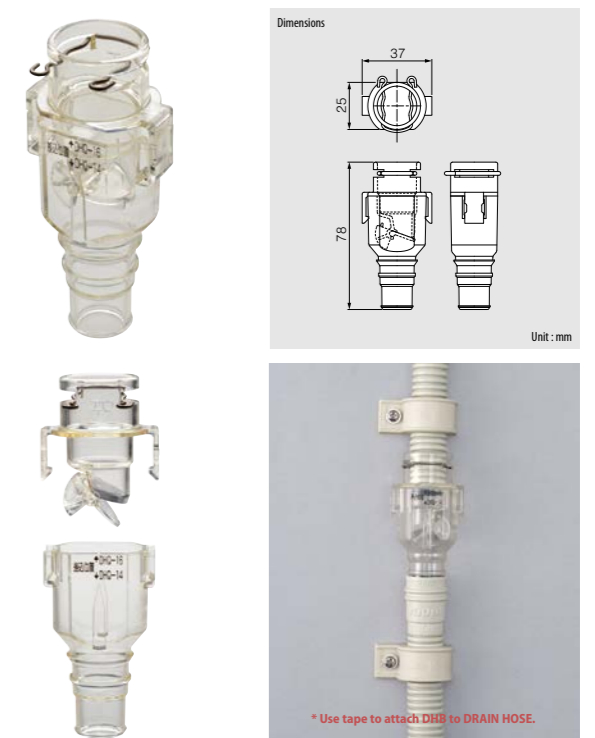
| Item No.        | Compliant drain hose | Pcs/Pkg |
|-----------------|----------------------|---------|
| <b>NDA-1416</b> | DH-14/16, DHQ-14/16  | 20      |

\*Material ... Acrylic resin

| Compliant Neo drain pipe coupler | Compliant PVC pipe coupler        |
|----------------------------------|-----------------------------------|
| For O.D. 26mm, O.D. 32mm         | For VP (O.D. 26mm), VP(O.D. 32mm) |

Use exclusively with INABA DENKO Drain Hose

## DHB MINI INLINE TRAP



- Purpose**
- In an airtight home, pressure difference between indoors and outdoors may cause air backflow and result in noise. DHB Trap promotes condensate flow thus prevents noise and deters insects from entering DRAIN HOSE.

- Features**
- Transparent body permits easy inspection.
  - Weather resistant plastic requires no protective tapes.
  - Easy to clean.
  - Accepts DHQ 14 & DHQ 16 without adaptor.

| Item No.        | Compliant drain hose | Pcs/Pkg |
|-----------------|----------------------|---------|
| <b>DHB-1416</b> | DHQ-14 • DHQ-16      | 50      |

\*Material ... Acrylic resin

# Drain Hose

Dew Condensation Prevention

# Insulated Drain Hose

Soft Type

Soft but strong enough to do the job!  
INSULATED DRAIN HOSE DSH

## Insulated to Prevent Condensation

Prevents condensation under extreme conditions of 15°C condensate water 30°C ambient temperature and 80% RH.

## Easy to Work With

Internal PE hose cuts easily with blade or scissors.

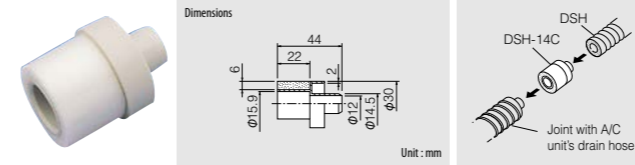
## Smooth Inside

Reduces resistance and maximizes condensate flow.

## Soft and Flexible

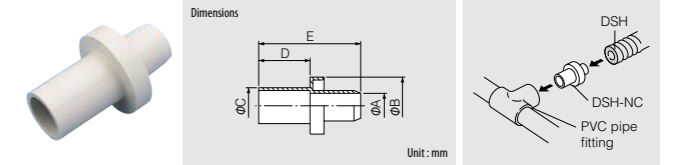
Independent layers plus spiral insulation layer make bending easy and facilitate installation in tight spaces.

## DSH-14C Hose to A/C Attached Hose COUPLER φ14 For A/C unit's drain hose joint



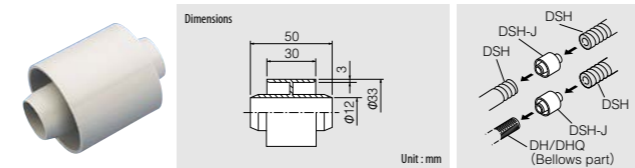
| Item No. | Compliant drain hose | Pcs/Pkg |
|----------|----------------------|---------|
| DSH-14C  | DSH-14               | 100     |

## DSH-20•25NC Hose to Pipe Fitting ADAPTOR φ20•25 For PVC pipe fitting



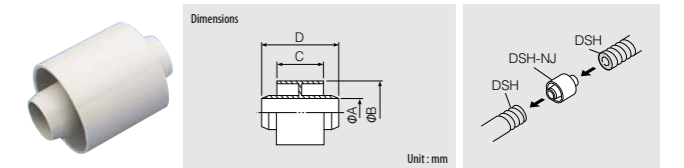
| Item No. | Compliant drain hose | Compliant PVC pipe O.D. mm | φA   | φB | φC | D  | E  | Pcs/Pkg |
|----------|----------------------|----------------------------|------|----|----|----|----|---------|
| DSH-20NC | DSH-20N              | 26                         | 17   | 35 | 26 | 37 | 64 | 50      |
| DSH-25NC | DSH-25N              | 32                         | 22.5 | 40 | 32 | 42 | 69 | 50      |

## DSH-14J Hose to Hose COUPLER φ14 For drain hose extension



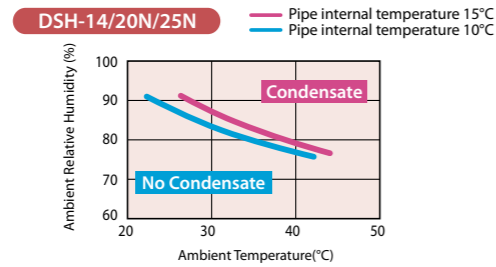
| Item No. | Compliant drain hose | Pcs/Pkg |
|----------|----------------------|---------|
| DSH-14J  | DSH-14               | 100     |

## DSH-20•25NJ Hose to Hose COUPLER φ20•25 For drain hose extension

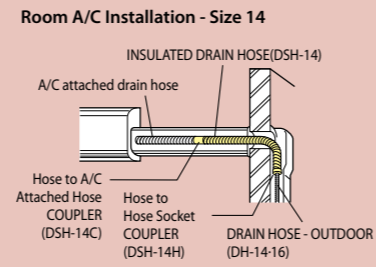


| Item No. | Compliant drain hose | φA   | φB   | φC | D  | Pcs/Pkg |
|----------|----------------------|------|------|----|----|---------|
| DSH-20NJ | DSH-20N              | 17   | 35.5 | 32 | 52 | 50      |
| DSH-25NJ | DSH-25N              | 22.5 | 41.5 | 32 | 52 | 50      |

## Data shows superior performance in condensation prevention



## Example of Typical Installation



Prevents Condensation  
Flexible and Easy to Work

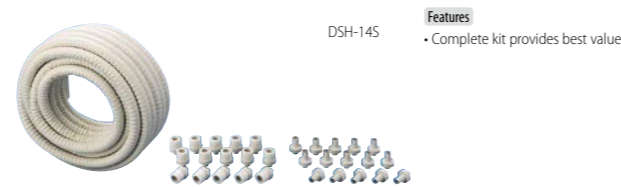
## DSH INSULATED DRAIN HOSE [Soft Type]



- Features**
- Soft and flexible for easy installation.
  - Easily cut to length.

| Item No. | Hose I.D. | Hose O.D. | Length | Insulation thickness | Pcs/Pkg |
|----------|-----------|-----------|--------|----------------------|---------|
| DSH-14   | φ14.5     | φ26.5     | 20m    | 6mm                  | 4       |
| DSH-20N  | φ19.0     | φ31.0     | 20m    | 6mm                  | 1       |
| DSH-25N  | φ25.0     | φ37.0     | 20m    | 6mm                  | 1       |

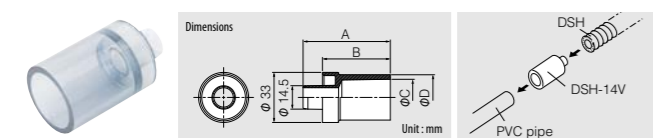
## DSH-S INSULATED DRAIN HOSE KIT [Soft Type]



- Features**
- Complete kit provides best value.

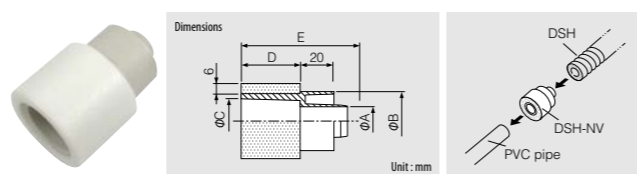
| Item No. | Contents   | Pcs/Pkg |
|----------|--|---------|
| DSH-14S  | INSULATED DRAIN HOSE 20m<br>Hose to A/C Attached Hose COUPLER DSH-14C×15<br>Hose to Hose Socket COUPLER DSH-14H×15 | 4       |

## DSH-14V Hose to Pipe ADAPTOR φ14 For PVC pipe joint



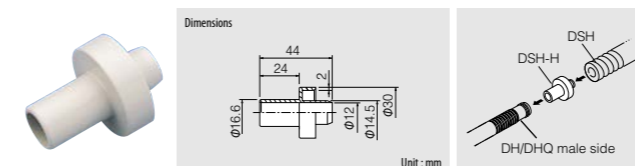
| Item No.   | Compliant drain hose | Compliant PVC pipe O.D. mm | A  | B  | φC    | φD  | Pcs/Pkg |
|------------|----------------------|----------------------------|----|----|-------|-----|---------|
| DSH-14-13V |                      | 18                         | 50 | 38 | 18.4  | φ24 | 100     |
| DSH-14-16V | DSH-14               | 22                         | 54 | 42 | 22.4  | φ28 | 100     |
| DSH-14-20V |                      | 26                         | 59 | 47 | 26.45 | φ33 | 100     |

## DSH-20•25NV Hose to Pipe ADAPTOR φ20•25 For PVC pipe joint



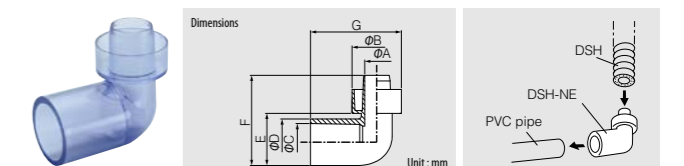
| Item No. | Compliant drain hose | Compliant PVC pipe O.D. mm | φA   | φB | φC    | D  | E  | Pcs/Pkg |
|----------|----------------------|----------------------------|------|----|-------|----|----|---------|
| DSH-20NV | DSH-20N              | 26                         | 16   | 35 | 26.45 | 35 | 63 | 50      |
| DSH-25NV | DSH-25N              | 32                         | 21.5 | 40 | 32.55 | 40 | 68 | 50      |

## DSH-14H Hose to Hose Socket COUPLER φ14 For drain hose joint



| Item No. | Compliant drain hose | Pcs/Pkg |
|----------|----------------------|---------|
| DSH-14H  | DSH-14               | 100     |

## DSH-20•25NE Hose to Pipe ELL φ20•25 For PVC pipe joint



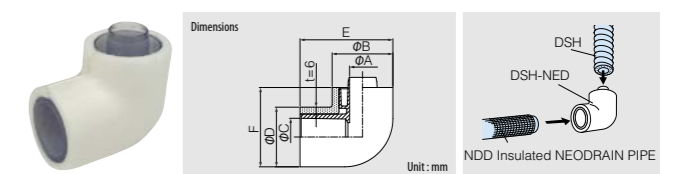
| Item No. | Compliant drain hose | φA   | φB | φC    | D  | E  | F  | G     | Pcs/Pkg |
|----------|----------------------|------|----|-------|----|----|----|-------|---------|
| DSH-20NE | DSH-20N              | 17   | 35 | 26.45 | 33 | 37 | 64 | 64.5  | 50      |
| DSH-25NE | DSH-25N              | 22.5 | 40 | 32.55 | 40 | 45 | 72 | 75.25 | 50      |

## Specifications

| Material | Insulated drain hoses and accessories |    | PVC |
|----------|---------------------------------------|----|-----|
|          | Insulation                            | PE |     |
|          |                                       |    |     |

- Caution**
- Cut drain hose in right angle, and completely remove any dust, oil, and trash on the jointing surface.
  - Use adhesive for PVC pipe use and insert drain hose/pipe fully into accessory fitting to avoid any problems such as water leakage.
  - Do not bend drain hose by a radius of less than 3 times of outer diameter.
  - Do not let drain hose slack when installing (Need slope for water flow).
  - Use drain hose accessories exclusively with INABA DENKO drain hoses. Use of these products in combination with any other brand will invalidate warranty.
  - Do not use adhesive for PVC pipe in the case of connection between drain hose (DH/DHQ) & coupler (DSH-14H/DSH-14J). Insert drain hoses, and accessory fittings fully and secure them with tape.

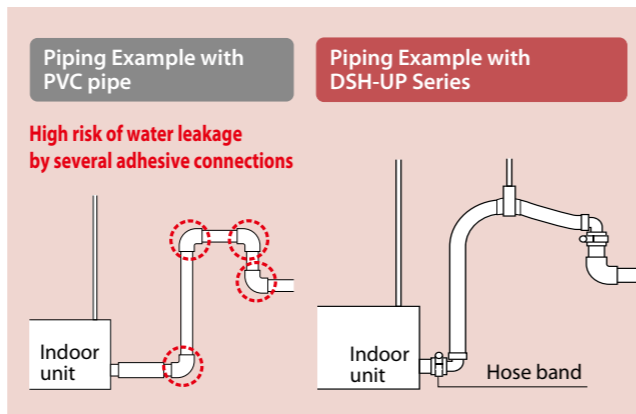
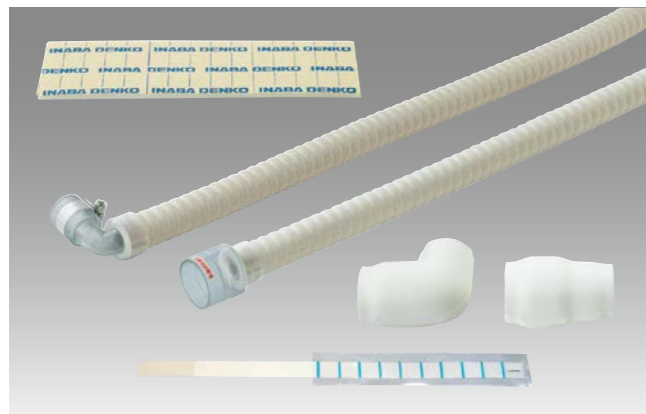
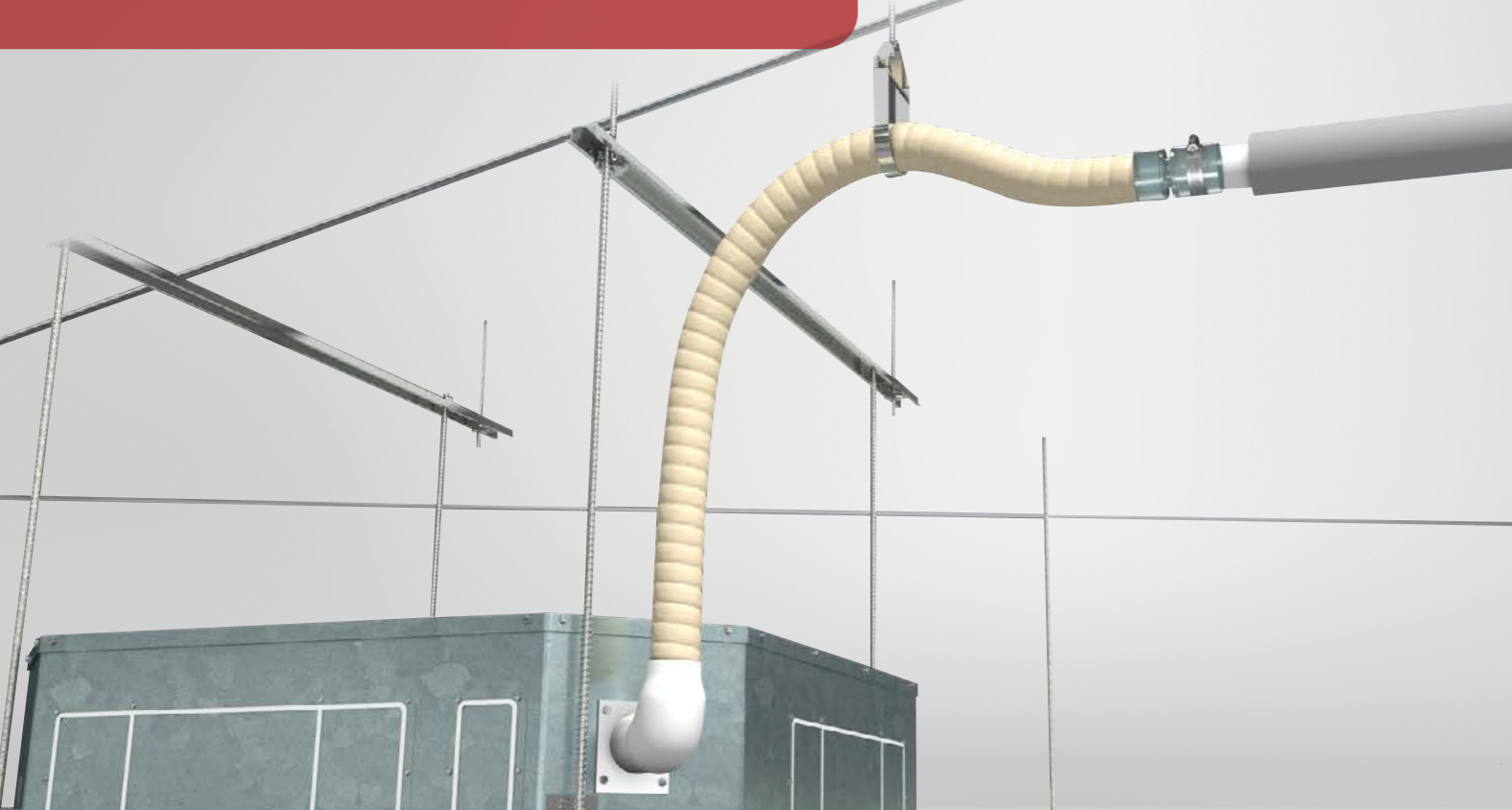
## DSH-20•25NED Hose to Pipe Insulated ELL φ20•25 For PVC pipe joint



| Item No.  | Compliant drain pipe & hose | φA   | φB | φC    | D  | E  | F  | Pcs/Pkg |
|-----------|-----------------------------|------|----|-------|----|----|----|---------|
| DSH-20NED | NDD-20N/DSH-20N             | 17   | 47 | 26.45 | 45 | 72 | 61 | 30      |
| DSH-25NED | NDD-25N/DSH-25N             | 22.5 | 53 | 32.55 | 52 | 81 | 69 | 30      |

# DSH-UP™ series

Thermal insulation drain hose with coupling joint for drain up piping of package air conditioner



## Construction image



Elbow and Straight Fitting



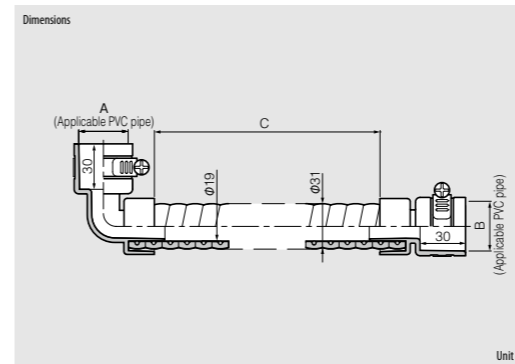
Elbow Fitting



Transparent fittings assure a secure fit and water-flow check

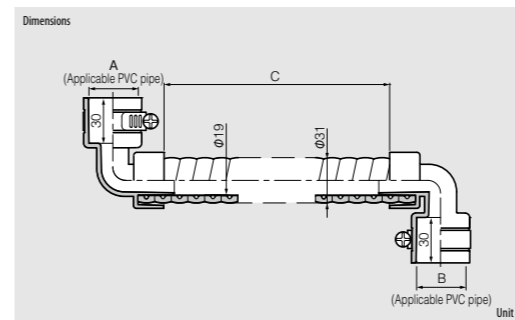
## DSH-UP INSULATED DRAIN HOSE for drain up piping

### S Elbow & Straight ES



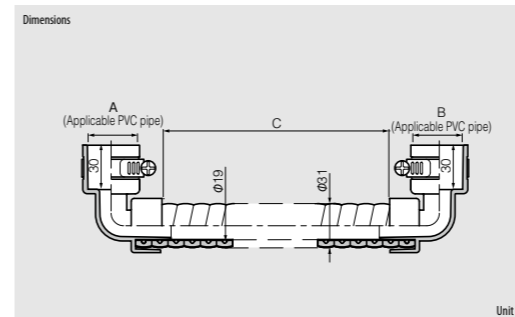
| Item No.        | A<br>(Applicable PVC pipe O.D. mm) | B<br>(Applicable PVC pipe O.D. mm) | C    | Pcs/Pkg |
|-----------------|------------------------------------|------------------------------------|------|---------|
| DSH-UP20E20S-07 | 26                                 | 26                                 | 700  | 10      |
| DSH-UP20E25S-07 | 26                                 | 32                                 | 700  | 10      |
| DSH-UP25E20S-07 | 32                                 | 26                                 | 700  | 10      |
| DSH-UP25E25S-07 | 32                                 | 32                                 | 700  | 10      |
| DSH-UP20E20S-10 | 26                                 | 26                                 | 1000 | 10      |
| DSH-UP20E25S-10 | 26                                 | 32                                 | 1000 | 10      |
| DSH-UP25E20S-10 | 32                                 | 26                                 | 1000 | 10      |
| DSH-UP25E25S-10 | 32                                 | 32                                 | 1000 | 10      |

### E Elbow & Elbow E E



| Item No.        | A<br>(Applicable PVC pipe O.D. mm) | B<br>(Applicable PVC pipe O.D. mm) | C    | Pcs/Pkg |
|-----------------|------------------------------------|------------------------------------|------|---------|
| DSH-UP20E20E-07 | 26                                 | 26                                 | 700  | 10      |
| DSH-UP20E25E-07 | 26                                 | 32                                 | 700  | 10      |
| DSH-UP25E25E-07 | 32                                 | 32                                 | 700  | 10      |
| DSH-UP20E20E-10 | 26                                 | 26                                 | 1000 | 10      |
| DSH-UP20E25E-10 | 26                                 | 32                                 | 1000 | 10      |
| DSH-UP25E25E-10 | 32                                 | 32                                 | 1000 | 10      |

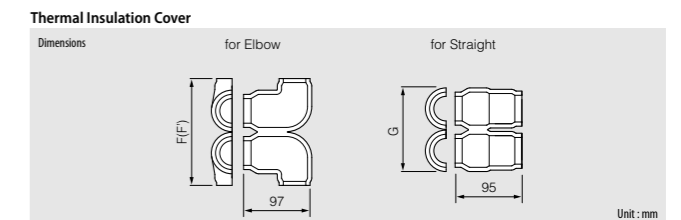
### ER Elbow & Elbow ER



| Item No.        | A<br>(Applicable PVC pipe O.D. mm) | B<br>(Applicable PVC pipe O.D. mm) | C    | Pcs/Pkg |
|-----------------|------------------------------------|------------------------------------|------|---------|
| DSH-UP20E20R-07 | 26                                 | 26                                 | 700  | 10      |
| DSH-UP20E25R-07 | 26                                 | 32                                 | 700  | 10      |
| DSH-UP25E25R-07 | 32                                 | 32                                 | 700  | 10      |
| DSH-UP20E20R-10 | 26                                 | 26                                 | 1000 | 10      |
| DSH-UP20E25R-10 | 26                                 | 32                                 | 1000 | 10      |
| DSH-UP25E25R-10 | 32                                 | 32                                 | 1000 | 10      |

**Caution**  
• Use only for the above applicable PVC pipe.

| Material  |                 |
|---|-----------------|
| Thermal insulated drain hose (Insulation)         | PVC (Foamed PE) |
| Coupling joint                                    | PVC             |
| Hose band   | SUS             |
| Thermal insulation cover                          | Foamed PE       |
| Thermal insulation adhesive tape (W50mm × L150mm) | Foamed PE       |



### Set Details

|  | Elbow & Straight ES | Elbow & Elbow EE / ER |
|--|---------------------|-----------------------|
| Thermal insulated drain hose with coupling joint | 1                   | 1                     |
| Hose band  | 2 pcs               | 2 pcs                 |
| Thermal insulation cover for Straight            | 1 pc                | —                     |
| Thermal insulation cover for Elbow               | 1 pc                | 2 pcs                 |
| Thermal insulation adhesive tape                 | 1 pc                | 1 pc                  |
| Water leakage checking sheet                     | 2 pcs               | 2 pcs                 |



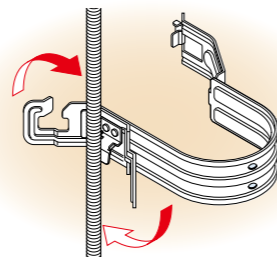
# SUPERLOCK



**QUICK**

**Attachment by one-touch to W3/8" threaded rod**

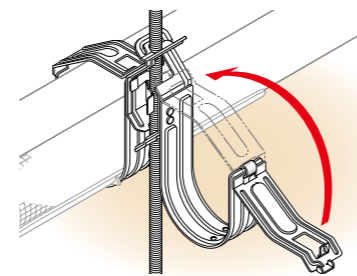
No need of additional tools or nuts for installation.



**SPACE-SAVING**

**Available "back to back" installation**

It enables installation in space-saving by "back to back".

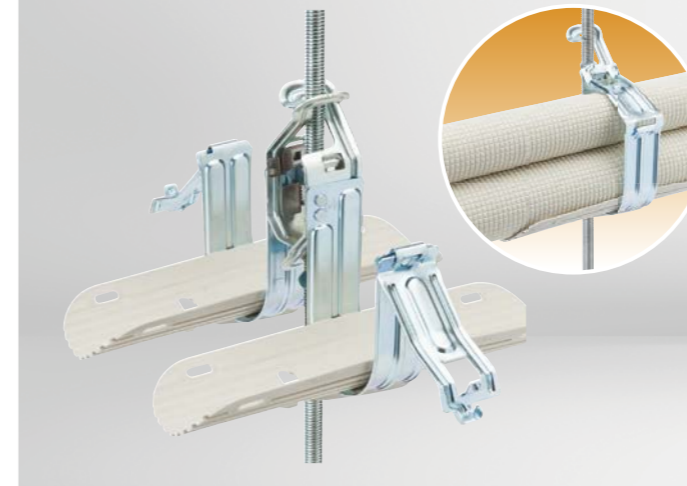


\*SRV only

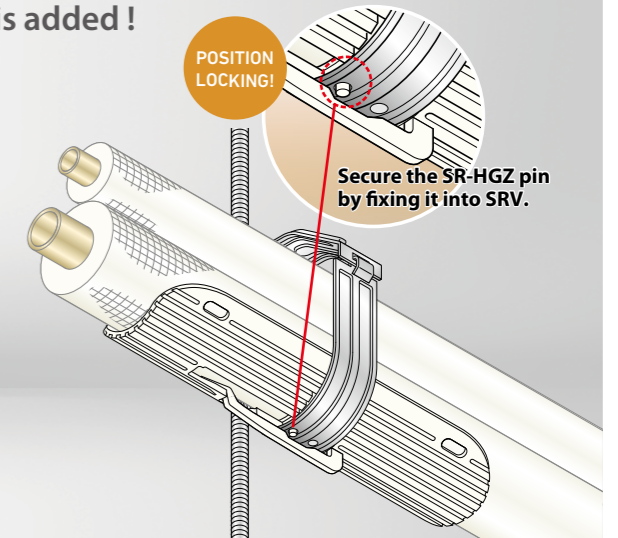
**SR-HGZ PROTECTION PLATE**

For insulation materials

Applicable to **all sizes of SUPERLOCK.**

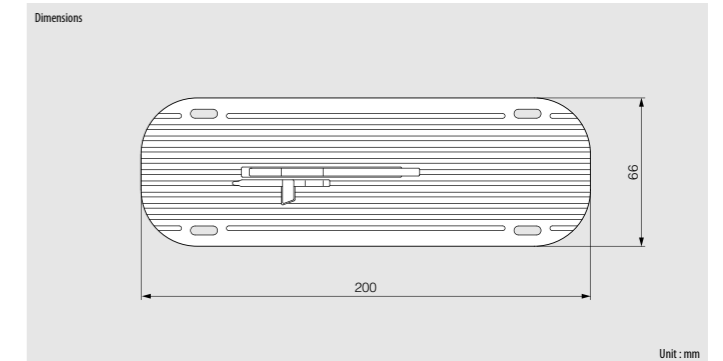


Position locking function is added!



POSITION LOCKING!

Secure the SR-HGZ pin by fixing it into SRV.



**Features**

- Protects insulation from deforming.
- Flexible only in the width direction. The plate has ribs at backside and is hard to bend in the length direction.
- Applicable to all sizes of SUPERLOCK (SRV).
- Easy piping work, because the round edge of elliptical shape has few catches of insulation of pipe.

**Caution**

- For indoor use only.

**SRV SUPERLOCK V TYPE [Integrated Body and Clip]**

**One-Touch Fitting**



**Purpose**

- Supports pipe by attaching to a W3/8" threaded rod.

**Features**

- SUPERLOCK Clamp quickly snaps onto threaded rod.
- Hinge mechanism permits temporary installation.
- Easy height adjustment by rotating clamp on threaded rod.

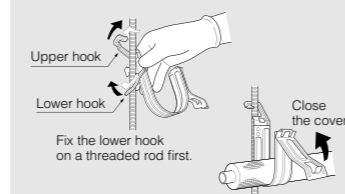
**Specifications**

- Steel with SPCC (Unichrome) plating.

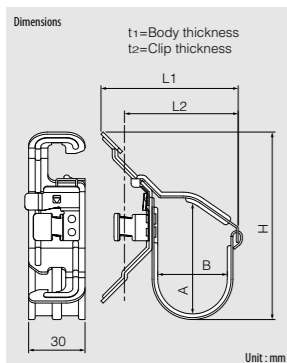
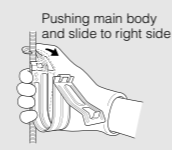
**Caution**

- For indoor use only.
- Use only with W3/8" threaded rod.

**Installation Procedure**



**Removal**



**Back to back installation**



| Item No.  | Applicable pipe size (mm) |                         | Allowable static load | Dimensions (mm) |      |       |     |    | Body thickness(t1) | Clip thickness(t2) | Pcs/Pkg |    |
|-----------|---------------------------|-------------------------|-----------------------|-----------------|------|-------|-----|----|--------------------|--------------------|---------|----|
|           | Insulation thickness      | Copper pipe             |                       | L1              | L2   | H     | A   | B  |                    |                    |         |    |
| SRV- 24B  | 10x10                     | 6.35*×9.52*~6.35*×12.70 | 196N<br>(20kgf)       | 70              | 57.5 | 95    | 59  | 37 | 1.0                | 1.0                | 100     |    |
| SRV- 35B  | 10x10                     | 6.35*×15.88~9.52*×15.88 |                       | 70              | 57.5 | 101   | 67  | 37 |                    |                    | 100     |    |
| SRV- 46B  | 10x10                     | 9.52*×19.05~12.70×19.05 |                       | 74              | 61.5 | 112   | 76  | 41 |                    |                    | 100     |    |
| SRV- 58B  | 10x10                     | 12.70×22.22~15.88×25.40 |                       | 84              | 71.5 | 121   | 85  | 51 |                    |                    | 100     |    |
| SRV- 69B  | 10x10                     | 19.05×25.40~19.05×28.58 |                       | 84              | 71.5 | 128.5 | 92  | 51 |                    |                    | 50      | 50 |
|           | 10x20                     | 6.35*×9.52              |                       |                 |      |       |     |    |                    |                    |         |    |
| SRV- 710B | 10x10                     | 22.22×28.58~22.22×31.75 |                       | 94              | 81.5 | 129   | 94  | 61 |                    |                    | 50      | 50 |
|           | 10x20                     | 6.35*×12.70~12.70×19.05 |                       |                 |      |       |     |    |                    |                    |         |    |
| SRV- 811B | 10x10                     | 25.40×31.75~25.40×34.92 |                       | 94              | 81.5 | 138   | 102 | 61 |                    |                    | 50      | 50 |
|           | 10x20                     | 15.88×19.05             |                       |                 |      |       |     |    |                    |                    |         |    |
| SRV- 912B | 10x10                     | 28.58×34.92~28.58×38.10 |                       | 94              | 81.5 | 144   | 108 | 61 |                    |                    | 50      | 50 |
|           | 10x20                     | 19.05×19.05             |                       |                 |      |       |     |    |                    |                    |         |    |
| SRV-1012B | 10x10                     | 28.58×38.10~25.40×41.28 |                       | 103             | 90.5 | 155   | 119 | 70 |                    |                    | 50      | 50 |
|           | 10x20                     | 15.88×28.58             |                       |                 |      |       |     |    |                    |                    |         |    |
| SRV-1114B | 10x10                     | 31.75×38.10~34.92×44.45 | 113                   | 100.5           | 159  | 123   | 80  | 50 | 50                 |                    |         |    |
|           | 10x20                     | 19.05×38.10             |                       |                 |      |       |     |    |                    |                    |         |    |

\*Insulation thickness : 8mm

**ZC3 CEILING COVER for Threaded Rod**



**Features**

- Cutting Line provided on backside for installation at the edge to wall.

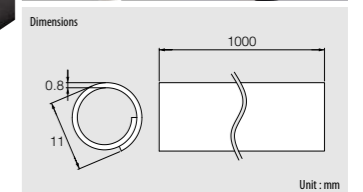
**Caution**

- Use only with W3/8" threaded rod.

| Item No. | Color Variation | Applicable Threaded Rod | Pcs/Pkg |
|----------|-----------------|-------------------------|---------|
| ZC3      | □ ■             | W3/8                    | 200     |

\*Material ... PP (for indoor)  
\*Not flame retardant.

**BC3 Threaded Rod Cover**



| Item No. | Color Variation | Applicable Threaded Rod | Pcs/Pkg |
|----------|-----------------|-------------------------|---------|
| BC3      | □ ■             | W3/8·M10                | 100     |

\*Material ... EVA (for indoor)  
\*Not flame retardant.

Color Variation: □...White, □...Ivory, □...Gray, ■...Brown, ■...Black  
Pipe Support/Holder & Tying Band

# PIPE SUPPORT

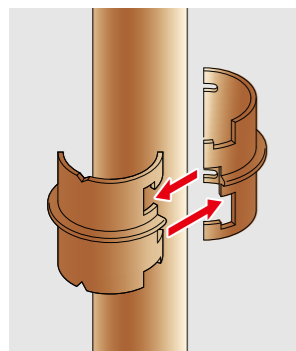


## Features

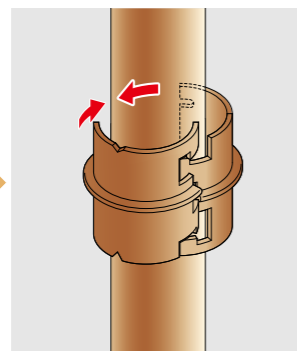
Severe stress at the lower end of the pipe run results in bulking or deformation due to a combination of thermal expansion and gravity. INABA DENKO piping support "TK" is a professional solution for vertical piping installations.

### Suitable for both new installation and retrofit

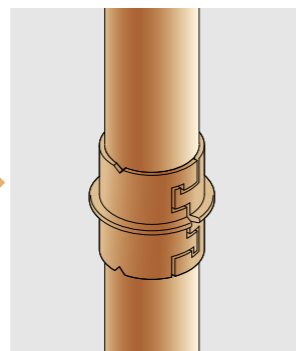
Because the pipe support ferrule is halved, PIPE SUPPORT can easily be fitted onto the riser and adjusted after the pipe system has been installed.



Split ferrule design makes it easy to fit and adjust onto the riser piping.



Ferrule allows temporary fixing without slippage.



To fix the pipe support completely, brazing is necessary.

<https://www.inaba-denko.com/en/>

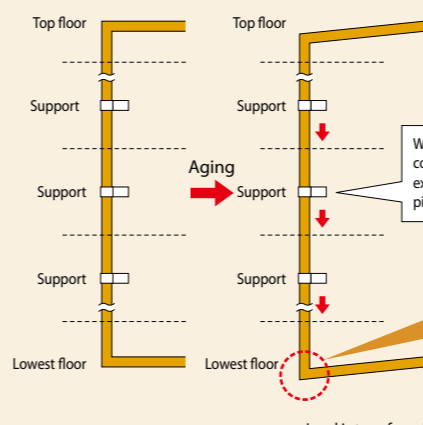
**Reduces gravity loading on vertical riser**  
Unlike conventionally supported vertical riser installation, PIPE SUPPORT is brazed to the vertical copper riser and reduces the loading created by the weight of the pipe system.

**Reduces extra stress on vertical riser due to thermal expansion by 50%**  
In conventional installations, the lowest elbow of the pipe system carries the full load of the pipe itself plus the extra stresses imposed by thermal expansion. Installing PIPE SUPPORT in the center of the vertical riser reduces the load created by the system components as well as the thermal expansion by 50%.

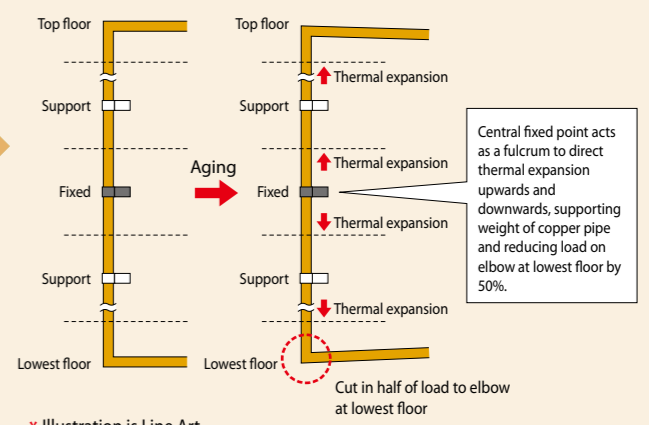
**Temporary fixing**  
Pipe support allows temporary fixing to facilitate brazing without slippage.

**Easily adjustable**  
Slotted holes on bracket allows precise adjustments.

### Conventional Installation



### Typical Installation with PIPELOCK

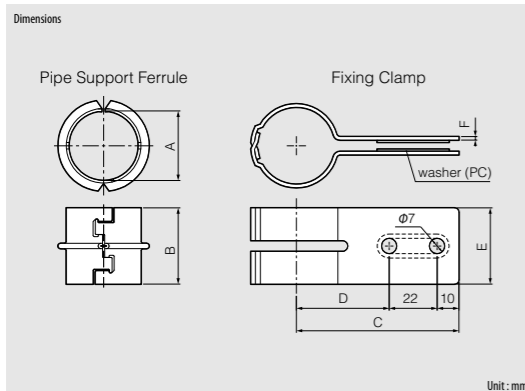
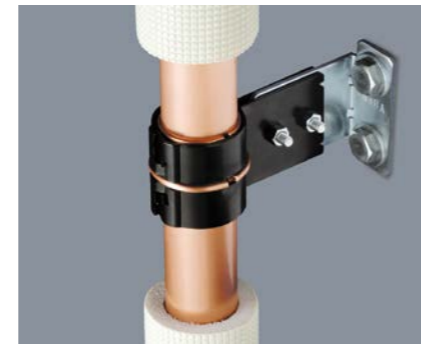


\* Illustration is Line Art. When using PIPE SUPPORT, provision for thermal expansion is still required.

<https://www.inaba-denko.com/en/>

**TK/TK-ZA PIPE SUPPORT [Pipe Support Ferrule + Fixing Clamp]**

Stress Relieving Bracket/Clamp System for vertical riser pipes in A/C systems



**By using a high corrosion resistant hot dip galvanized steel, corrosion resistance improved!**

- Specifications**
- Material  
Pipe Support Ferrule : Body ... C1220  
Hook ... SUS301-CSP
  - Fixing Clamp :  
TK ... SPHC (Powder coated)  
TK-ZA ... ZAM  
(High Grade Corrosion Resistant Hot Dip Galvanized Steel Sheet ZAM)
  - Attached Screw  
• TK  
ΦHex bolt M6×20L ... 2 pcs (Unichrome)  
Hex nut M6 ... 2 pcs (Unichrome)
  - TK-ZA  
ΦHex bolt M6×20L ... 2 pcs (Stainless)  
Hex nut M6 ... 2 pcs (Stainless)  
Plain washer M6 ... 2 pcs (Stainless)

| Item No. | Compliant pipe size | A     | B, E | C    | D    | F   | Pcs/Pkg |
|----------|---------------------|-------|------|------|------|-----|---------|
| TK- 3K * | φ 9.52              | 9.60  | 35   | 63.4 | 31.4 | 1.0 | 20      |
| TK- 4KN  | φ12.70              | 12.81 |      | 64.8 | 32.8 | 1.6 |         |
| TK- 5KN  | φ15.88              | 16.00 |      | 66.4 | 34.4 |     |         |
| TK- 6KN  | φ19.05              | 19.19 |      | 68.0 | 36.0 |     |         |
| TK- 7KN  | φ22.22              | 22.36 |      | 69.6 | 37.6 |     |         |
| TK- 8KN  | φ25.40              | 25.56 |      | 71.4 | 39.4 |     |         |
| TK- 9KN  | φ28.58              | 28.75 |      | 73.0 | 41.0 |     |         |
| TK-10KN  | φ31.75              | 31.93 | 74.6 | 42.6 | 2.0  |     |         |
| TK-11KN  | φ34.92              | 35.11 | 76.5 | 44.5 |      |     |         |
| TK-12KN  | φ38.10              | 38.31 | 78.1 | 46.1 |      |     |         |
| TK-13KN  | φ41.28              | 41.50 | 79.6 | 47.6 |      |     |         |
| TK-14KN  | φ44.45              | 44.68 | 81.2 | 49.2 |      |     |         |
| TK-16KN  | φ50.80              | 51.03 | 84.4 | 52.4 |      |     |         |
| TK-17KN  | φ53.98              | 54.22 | 86.0 | 54.0 |      |     |         |

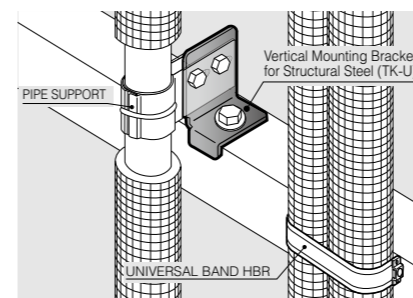
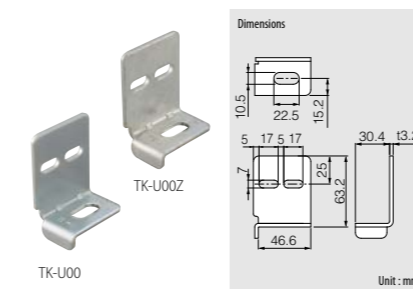
\*The shape and installation method of TK-3K is different from other sizes.

| Item No.    | Compliant pipe size | A     | B, E | C    | D    | F   | Pcs/Pkg |
|-------------|---------------------|-------|------|------|------|-----|---------|
| TK- 3K-ZA * | φ 9.52              | 9.60  | 35   | 63.4 | 31.4 | 1.0 | 20      |
| TK- 4KN-ZA  | φ12.70              | 12.81 |      | 64.8 | 32.8 | 1.6 |         |
| TK- 5KN-ZA  | φ15.88              | 16.00 |      | 66.4 | 34.4 |     |         |
| TK- 6KN-ZA  | φ19.05              | 19.19 |      | 68.0 | 36.0 |     |         |
| TK- 7KN-ZA  | φ22.22              | 22.36 |      | 69.6 | 37.6 |     |         |
| TK- 8KN-ZA  | φ25.40              | 25.56 |      | 71.4 | 39.4 |     |         |
| TK- 9KN-ZA  | φ28.58              | 28.75 |      | 73.0 | 41.0 |     |         |
| TK-10KN-ZA  | φ31.75              | 31.93 | 74.6 | 42.6 | 2.0  |     |         |
| TK-11KN-ZA  | φ34.92              | 35.11 | 76.5 | 44.5 |      |     |         |
| TK-12KN-ZA  | φ38.10              | 38.31 | 78.1 | 46.1 |      |     |         |
| TK-13KN-ZA  | φ41.28              | 41.50 | 79.6 | 47.6 |      |     |         |
| TK-14KN-ZA  | φ44.45              | 44.68 | 81.2 | 49.2 |      |     |         |
| TK-16KN-ZA  | φ50.80              | 51.03 | 84.4 | 52.4 |      |     |         |
| TK-17KN-ZA  | φ53.98              | 54.22 | 86.0 | 54.0 |      |     |         |

\*The shape and installation method of TK-3K is different from other sizes.

**TK-U VERTICAL MOUNTING BRACKET FOR STRUCTURAL STEEL**

For reduced clearance from wall surface



| Item No. | Pcs/Pkg |
|----------|---------|
| TK-U00   | 100     |

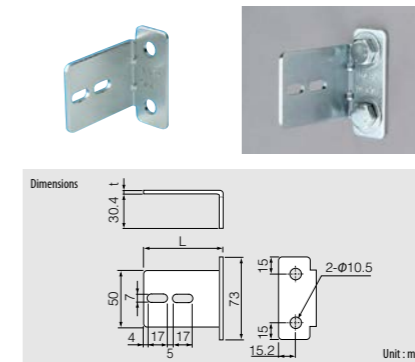
\*Material ... SPHC (Unichrome)

**Hot-Dip Galvanized Type**

| Item No. | Pcs/Pkg |
|----------|---------|
| TK-U00Z  | 100     |

\*Material ... SPHC (Hot-dip galvanized equivalent to HDZ35)

**TK-K DIRECT MOUNT HORIZONTAL WALL BRACKET**



**Indoor Use Type**

| Item No. | L   | t   | Pcs/Pkg |
|----------|-----|-----|---------|
| TK-K 60  | 60  | 3.2 | 100     |
| TK-K 70  | 70  |     |         |
| TK-K 80  | 80  |     |         |
| TK-K 90  | 90  |     |         |
| TK-K100  | 100 |     |         |

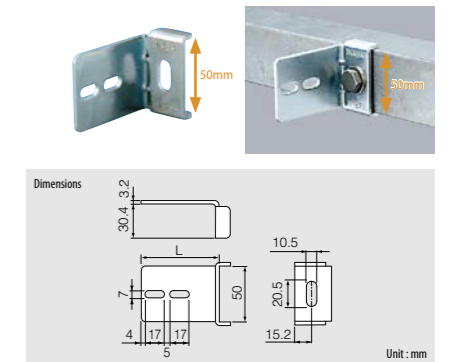
\*Material ... SPHC (Unichrome)

**Outdoor Use Type**

| Item No.    | L   | t   | Pcs/Pkg |
|-------------|-----|-----|---------|
| TK-K 60-SUS | 60  | 3.0 | 100     |
| TK-K 70-SUS | 70  |     |         |
| TK-K 80-SUS | 80  |     |         |
| TK-K 90-SUS | 90  |     |         |
| TK-K100-SUS | 100 |     |         |

\*Material ... SUS304

**TK-B UNIVERSAL HORIZONTAL BRACKET** For 50mm width



| Item No. | L   | Pcs/Pkg |
|----------|-----|---------|
| TK-B 60  | 60  | 100     |
| TK-B 70  | 70  |         |
| TK-B 80  | 80  |         |
| TK-B 90  | 90  |         |
| TK-B100  | 100 |         |

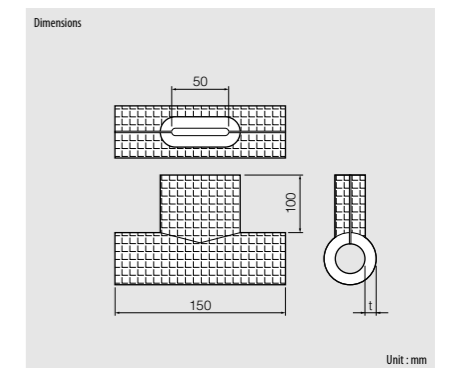
\*Material ... SPHC (Unichrome)

**Hot-Dip Galvanized Type**

| Item No. | L   | Pcs/Pkg |
|----------|-----|---------|
| TK-B 60Z | 60  | 100     |
| TK-B 70Z | 70  |         |
| TK-B 80Z | 80  |         |
| TK-B 90Z | 90  |         |
| TK-B100Z | 100 |         |

\*Material ... SPHC (Hot-dip galvanized equivalent to HDZ35)

**TK-H INSULATION**



| Item No. | Compliant PIPE SUPPORT | Insulation thickness t |
|----------|------------------------|------------------------|
| TK- 3SH  | TK- 3K                 | 10                     |
| TK- 4SH  | TK- 4K                 |                        |
| TK- 5SH  | TK- 5K                 |                        |
| TK- 6SH  | TK- 6K                 |                        |
| TK- 7SH  | TK- 7K                 |                        |
| TK- 8SH  | TK- 8K                 |                        |
| TK- 9SH  | TK- 9K                 |                        |
| TK-10SH  | TK-10K                 |                        |
| TK-11SH  | TK-11K                 |                        |
| TK-12SH  | TK-12K                 |                        |
| TK-13SH  | TK-13K                 | 15                     |
| TK-14SH  | TK-14K                 |                        |
| TK-16SH  | TK-16K                 |                        |
| TK-17SH  | TK-17K                 |                        |

\*Material ... Chemically cross linked polyethylene foam with an expansion factor of 30 enclosed by a plastic film with an embossed surface.

| Item No. | Compliant PIPE SUPPORT | Insulation thickness t |
|----------|------------------------|------------------------|
| TK- 3DH  | TK- 3K                 | 20                     |
| TK- 4DH  | TK- 4K                 |                        |
| TK- 5DH  | TK- 5K                 |                        |
| TK- 6DH  | TK- 6K                 |                        |
| TK- 7DH  | TK- 7K                 |                        |
| TK- 8DH  | TK- 8K                 |                        |
| TK- 9DH  | TK- 9K                 |                        |
| TK-10DH  | TK-10K                 |                        |
| TK-11DH  | TK-11K                 |                        |
| TK-12DH  | TK-12K                 |                        |
| TK-13DH  | TK-13K                 | 20                     |
| TK-14DH  | TK-14K                 |                        |
| TK-16DH  | TK-16K                 |                        |
| TK-17DH  | TK-17K                 |                        |

# SEISMIC RESTRAINT

V - Type D - Type

Spring loaded seismic restraint clips for AC unit.  
Applicable to 3/8 and 1/2 threaded rod.

**STEP 1**

No need to disassemble

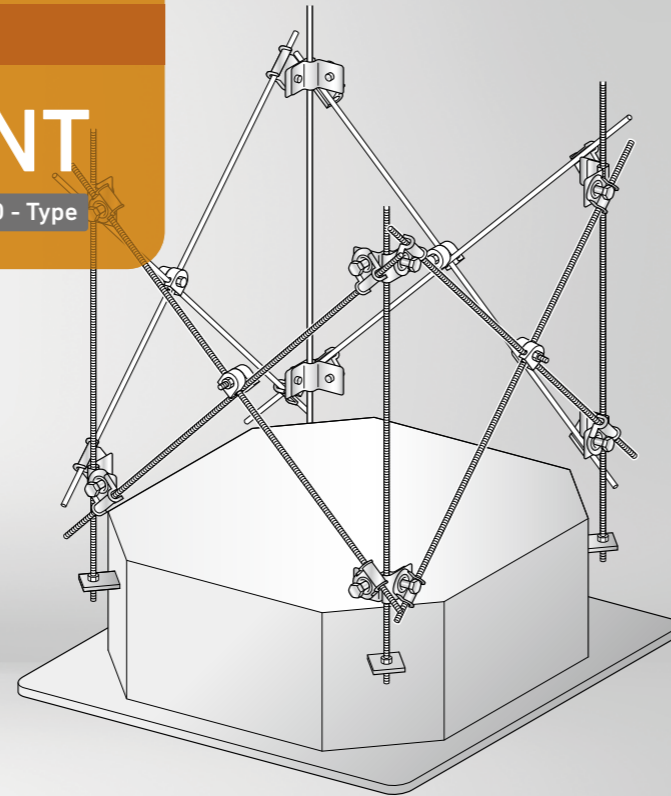
Snap the body to the main threaded rod.

**STEP 2**

Snap the arm to crossed threaded rod.

**STEP 3**

Tighten with electrical driver.



# SEISMIC RESTRAINT

C - Type E - Type

Spring loaded seismic restraint clips for any other mechanical equipment

**STEP 1**

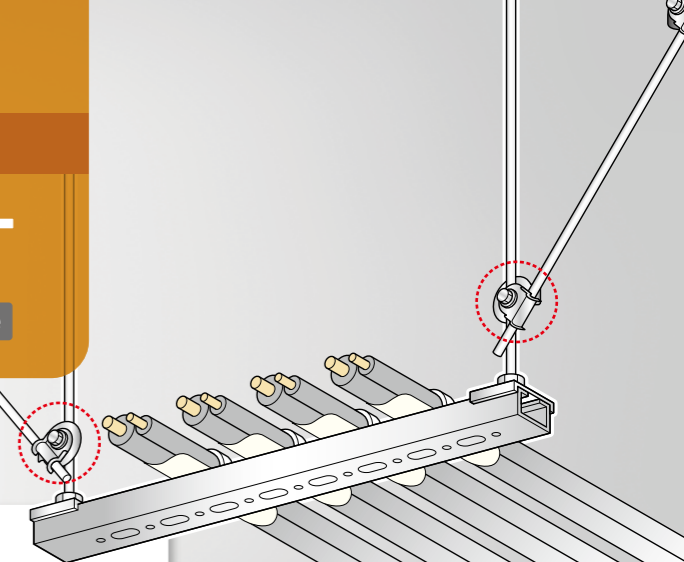
Spring load mechanism will ease the installation.

**STEP 2**

Snap the arm to crossed threaded rod.

**STEP 3**

Tighten with electrical driver.



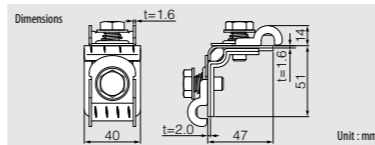
## FL-V V - Type

Attachment for bolt fixing  
Cross Installation



**Caution**

- Use only with W3/8 threaded rod. Do not use for other sizes.



| Item No.      | Applicable threaded rod | A  | B  | C  | D  | Pcs/Pkg |
|---------------|-------------------------|----|----|----|----|---------|
| <b>FL-V</b>   | W3/8                    | 47 | 51 | 14 | 40 | 80      |
| <b>FL-V-4</b> | W1/2                    | 63 | 64 | 20 | 50 | 40      |

## FL-D D - Type

Attachment for bolt fixing  
Cross Installation

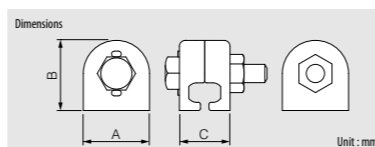


**Contents**

- Metal (nut side) ... 1pc
- Metal (bolt side) ... 1pc
- Hexagon bolt W3/8x45L ... 1pc
- W3/8 nut ... 1pc

**Caution**

- Use only with W3/8 threaded rod. Do not use for other sizes.



| Item No.      | Applicable threaded rod | A  | B  | C  | Pcs/Pkg |
|---------------|-------------------------|----|----|----|---------|
| <b>FL-D</b>   | W3/8                    | 34 | 36 | 26 | 80      |
| <b>FL-D-4</b> | W1/2                    | 39 | 43 | 34 | 80      |

## FL-VS PACKAGED KIT

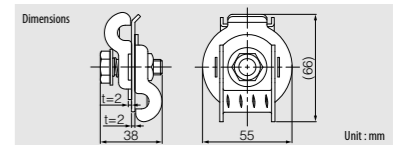
Packaged kit for one AC unit



| Item No.       | Items included         | Pcs/Pkg |
|----------------|------------------------|---------|
| <b>FL-VS</b>   | FL-Vx8pc, FL-Dx4pc     | 8       |
| <b>FL-VS-4</b> | FL-V-4x8pc, FL-D-4x4pc | 4       |

## FL-C C - Type

Single arm clip for crossing



| Item No.      | Applicable threaded rod | A  | B  | C  | Pcs/Pkg |
|---------------|-------------------------|----|----|----|---------|
| <b>FL-C</b>   | W3/8                    | 55 | 60 | 38 | 100     |
| <b>FL-C-4</b> | W1/2                    | 64 | 70 | 38 | 50      |

\*Material ... Unichrome Finish

## FL-CW CW - Type

Double arm clip for crossing

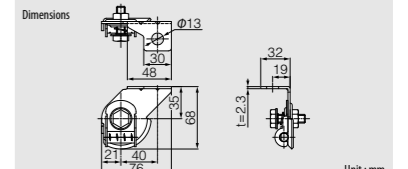


| Item No.     | Applicable threaded rod | Pcs/Pkg |
|--------------|-------------------------|---------|
| <b>FL-CW</b> | W3/8                    | 50      |

\*Material ... Unichrome Finish

## FL-E E - Type

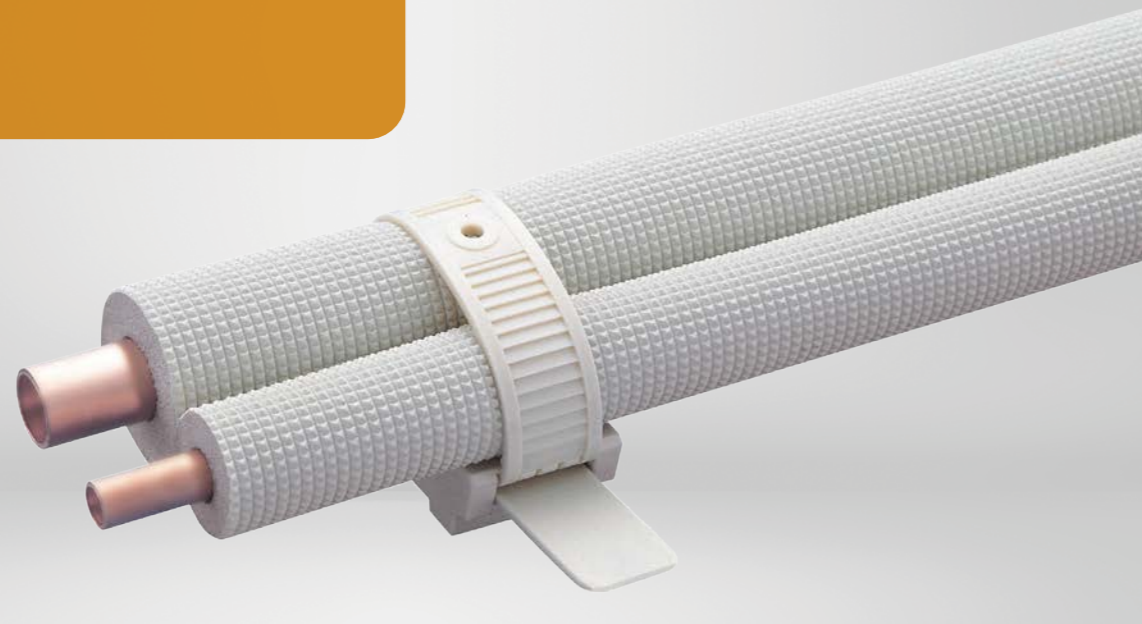
Single arm clip for ceiling



| Item No.    | Applicable threaded rod | Pcs/Pkg |
|-------------|-------------------------|---------|
| <b>FL-E</b> | W3/8                    | 50      |

\*Material ... Unichrome Finish

# BIGTIE



## Wide plastic pipe tie.

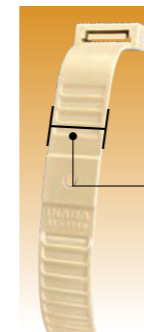
### CONVENIENT

Available in small packages for convenience on the go.



### WIDE

Distributes the pressure on the insulation surface without causing insulation damage.



Width  
20mm

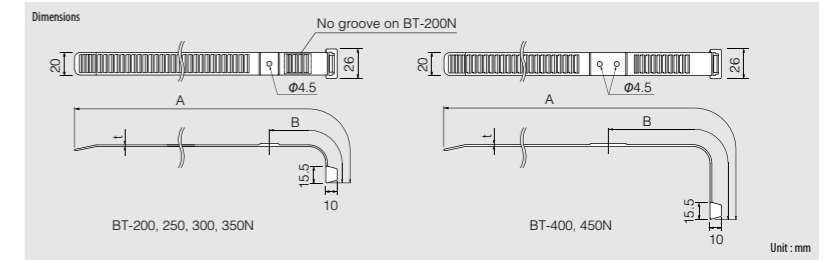
### ADJUSTABLE

Use a flat head screw driver to press on the bar release the lock and adjust the tie. (Intended for single use)



<https://www.inaba-denko.com/en/>

## BT BIGTIE



| Item No.       | Binding diameter | Copper pipe applicable guide               | A   | B   | t   | Pcs/Pkg* |
|----------------|------------------|--|-----|-----|-----|----------|
| <b>BT-200N</b> | φ20 ~ φ 50       | 6.35× 9.52 (Insulation thickness 8mm)      | 200 | 50  | 1.4 | 40packs  |
| <b>BT-250N</b> | φ30 ~ φ 66       | 9.52×15.88 (Insulation thickness 8×10mm)   | 250 | 80  | 1.4 | 40packs  |
| <b>BT-300N</b> | φ33 ~ φ 82       | 12.70×28.58 (Insulation thickness 10mm)    | 300 | 90  | 1.5 | 20packs  |
| <b>BT-350N</b> | φ40 ~ φ 98       | 19.05×38.10 (Insulation thickness 10mm)    | 350 | 100 | 1.5 | 20packs  |
| <b>BT-400N</b> | φ48 ~ φ114       | 19.05×38.10 (Insulation thickness 10×20mm) | 400 | 150 | 1.6 | 20packs  |
| <b>BT-450N</b> | φ54 ~ φ130       | 22.22×44.45 (Insulation thickness 10×20mm) | 450 | 170 | 1.6 | 20packs  |

\*Material ... PP  
\*20pcs/pack

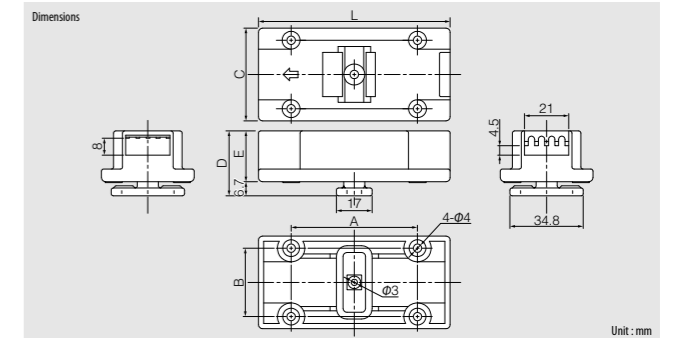
**Specifications**

- Temperature range ... -10 ~ 50°C
- Working temperature ... 0 ~ 40°C

**Caution**

- Binding diameter is reduced when BIGTIE is used with BHC Mounting Clip.
- BIGTIE is designed for tying pipes. Do not use with loaded condition such as hanging horizontal piping or supporting vertically.
- Cutting under low temperature may cause crack on the band.
- Make sure to insert the band into the hole appropriately.
- Bigtie can not be used repeatedly.

## BHC BIGTIE HOLDER



| Item No.     | L  | A    | B    | C  | D    | E    | Pcs/Pkg |
|--------------|----|------|------|----|------|------|---------|
| <b>BHC-1</b> | 64 | 52.5 | 32.5 | 44 | 23.2 | 16.5 | 100     |
| <b>BHC-2</b> | 78 | 66.5 | 32.5 | 44 | 23.2 | 16.5 | 100     |
| <b>BHC-3</b> | 91 | 60   | 32.5 | 44 | 30.8 | 24.1 | 100     |

\*Material ... Body: PP, Hook: ABS

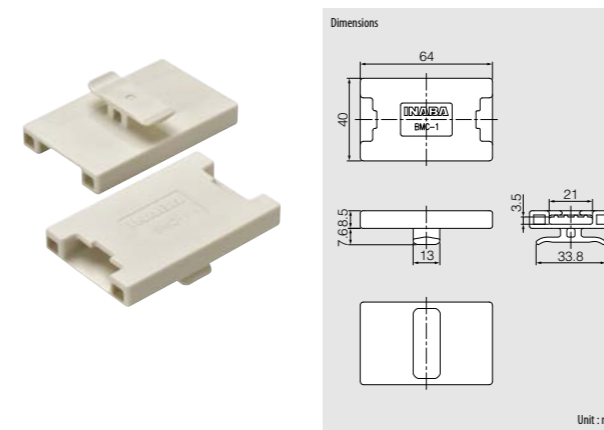
**Features**

- Bigtie's base to fix onto the strut channel.

**Caution**

- BT-200 can not be combined with BHC.

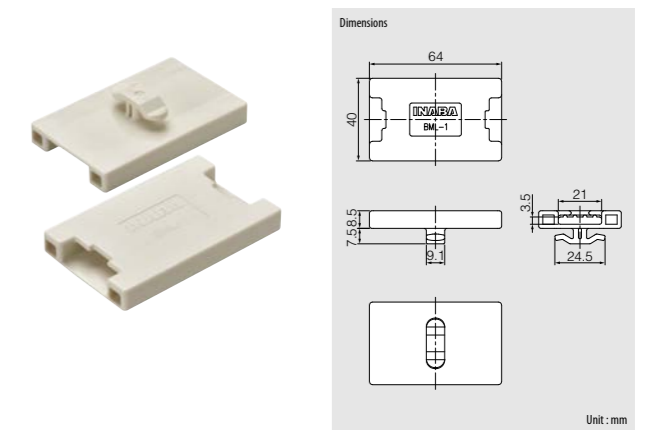
## BMC-1 HOLDER FOR STRUT CHANNEL



| Item No.     | Color Variation | Pcs/Pkg |
|--------------|-----------------|---------|
| <b>BMC-1</b> | □               | 100     |

\*Material ... POM

## BML-1 HOLDER FOR THREADED ANGLE



| Item No.     | Color Variation | Pcs/Pkg |
|--------------|-----------------|---------|
| <b>BML-1</b> | □               | 100     |

\*Material ... POM

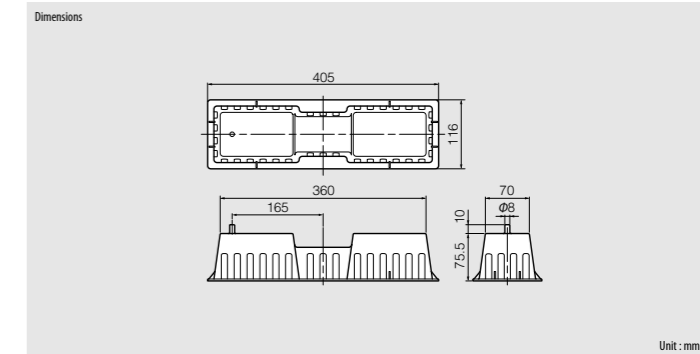
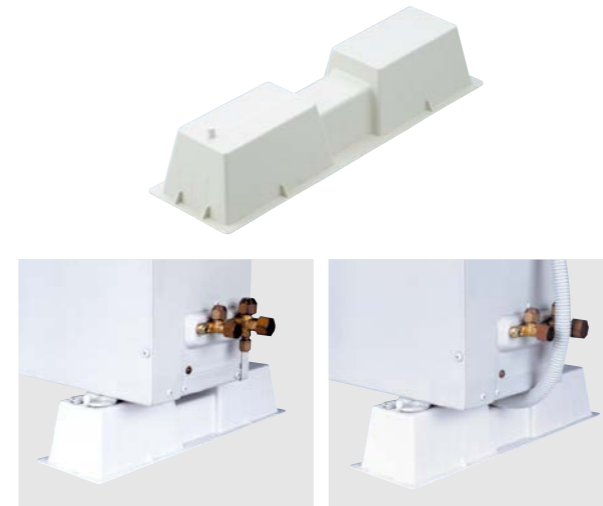
Color Variation: □...White, □...Ivory, □...Gray, □...Brown, □...Black  
Pipe Support/Holder & Tying Band

# PLAROCK™



## Condenser Riser & Bracket PP CONDENSER RISER & ANTI VIBRATION PAD

### LC PP CONDENSER RISER



**Specifications**

- Temperature Range ... -10°C to 50°C (Surface temperature)
- Allowable Load ... 588N (60kgf: When using 2pcs at the level)

| Item No.       | Color Variation | Pcs/Pkg |
|----------------|-----------------|---------|
| <b>LC-360N</b> | ■               | 50      |

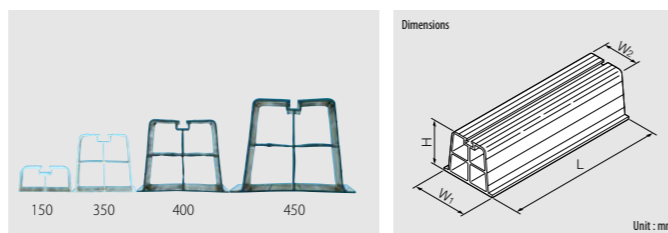
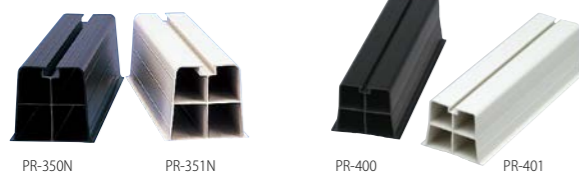
\*Material ... PP

### PR PLAROCK

Condenser Riser

#### PR350 Series

#### PR400 Series

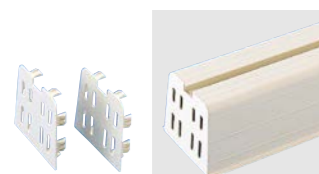


**Caution** - Use only within a temperature range of -10°C to 50°C

| Series | Item No.         | Color Variation | Allowable load (N[kgf]) | Dimension L×W1×W2×H (mm) | Attached bolt | Pcs/Pkg |
|--------|------------------|-----------------|-------------------------|--------------------------|---------------|---------|
| 150    | <b>PR-151</b>    | ■               | 1,372[ 140]             | 360× 86× 80× 40          | Dacrotized    | 20      |
|        | <b>PR-350N</b>   | ■               | 1,372[ 140]             | 360×100× 80× 95          | Dacrotized    | 20      |
|        | <b>PR-351N</b>   | ■               | 1,372[ 140]             | 360×100× 80× 95          | Dacrotized    | 20      |
| 350    | <b>PR-350N-M</b> | ■               | 1,765[ 180]             | 450×100× 80× 95          | Dacrotized    | 20      |
|        | <b>PR-351N-M</b> | ■               | 1,765[ 180]             | 450×100× 80× 95          | Dacrotized    | 20      |
|        | <b>PR-350N-L</b> | ■               | 3,922[ 400]             | 1,000×100× 80× 95        | N/A           | 4       |
| 400    | <b>PR-351N-L</b> | ■               | 3,922[ 400]             | 1,000×100× 80× 95        | N/A           | 4       |
|        | <b>PR-400</b>    | ■               | 3,922[ 400]             | 450×150×110×120          | HDZ           | 6       |
|        | <b>PR-401</b>    | ■               | 3,922[ 400]             | 450×150×110×120          | HDZ           | 6       |
| 450    | <b>PR-400-L</b>  | ■               | 15,691[1,600]           | 1,800×150×110×120        | N/A           | 1       |
|        | <b>PR-450P</b>   | ■               | 4,413[ 450]             | 450×205×137×154          | HDZ           | 6       |
|        | <b>PR-1800P</b>  | ■               | 17,652[1,800]           | 1,800×205×137×154        | N/A           | 1       |

\*Material ... PVC

### PRC PLAROCK END COVER



**Features**

- Clip on cover seals and beautifies open ends of PLAROCK.
- Can be permanently attached with adhesive if required.
- Integral ventilation slots improve thermal resistance.

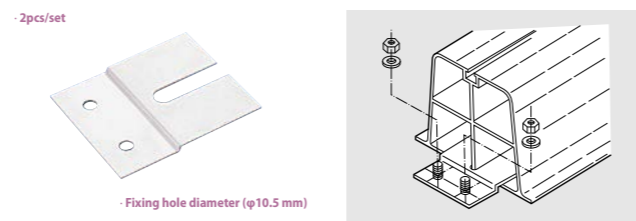
**Caution**

- Use of adhesive is recommended to ensure permanent attachment.

| Item No.        | Color Variation | Applicable PLAROCK | Pcs/Pkg* |
|-----------------|-----------------|--------------------|----------|
| <b>PRC-350N</b> | ■               | 350N Series        | 50sets   |
| <b>PRC-351N</b> | ■               |                    | 50sets   |

\*Material ... PVC  
\*2pcs/set

### PR-P PLAROCK RETAINER CLAMP

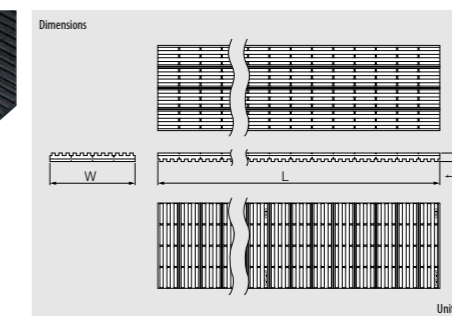
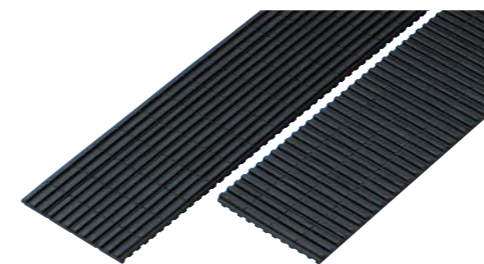


| Item No.     | Compliant size   | L   | W   | Thickness |
|--------------|------------------|-----|-----|-----------|
| <b>PR-P1</b> | 400 - 450 Series | 120 | 100 | 2.3       |
| <b>PR-P2</b> | 150 - 350 Series | 80  | 60  | 2.0       |

\*Material (Surface treatment) ... SS41 (Hot-dip galvanized)  
\*2 pieces per set, 1 set required per length of PLAROCK.

Color Variation: □...White, □...Ivory, □...Gray, □...Brown, □...Black  
<https://www.inaba-denko.com/en/>

### GPC ANTI-VIBRATION PAD



**Features**

- Absorbs vibration and acts as a buffer to reduce noise transmission.
- Surface embossed cut lines at 50mm intervals facilitate cutting to size.
- Interval between each projection is enough and ensures that vibration absorption is not compromised even under heavy loads (projections are designed not to touch each other).
- GP can easily be stacked in layers (with the same item No. only).

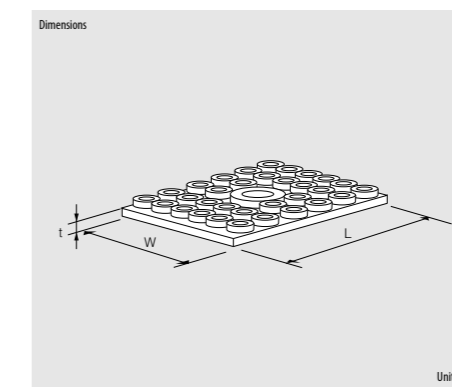
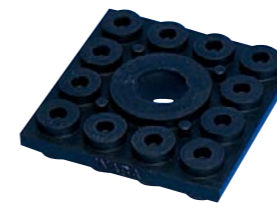
**Caution**

- Do not apply this product directly to any PVC floor material as plasticizer ingredient may cause discoloration.

| Item No.             | Color Variation | Width (W) | Length (L) | Thickness (t) | Pcs/Pkg |
|----------------------|-----------------|-----------|------------|---------------|---------|
| <b>GPC-100-10</b>    | ■               | 100       | 1000       | 10            | 20      |
| <b>GPC-100-12</b>    | ■               | 100       | 1200       | 10            | 20      |
| <b>GPC-150-10</b>    | ■               | 150       | 1000       | 10            | 10      |
| <b>GPC-300-03</b>    | ■               | 300       | 300        | 10            | 20      |
| <b>GPC-100T15-10</b> | ■               | 100       | 1000       | 10            | 10      |

\*Material ... NR + SBR

### GPS ANTI-VIBRATION PAD



**Features**

- Absorbs vibration and acts as a buffer to reduce noise transmission.

**Specifications**

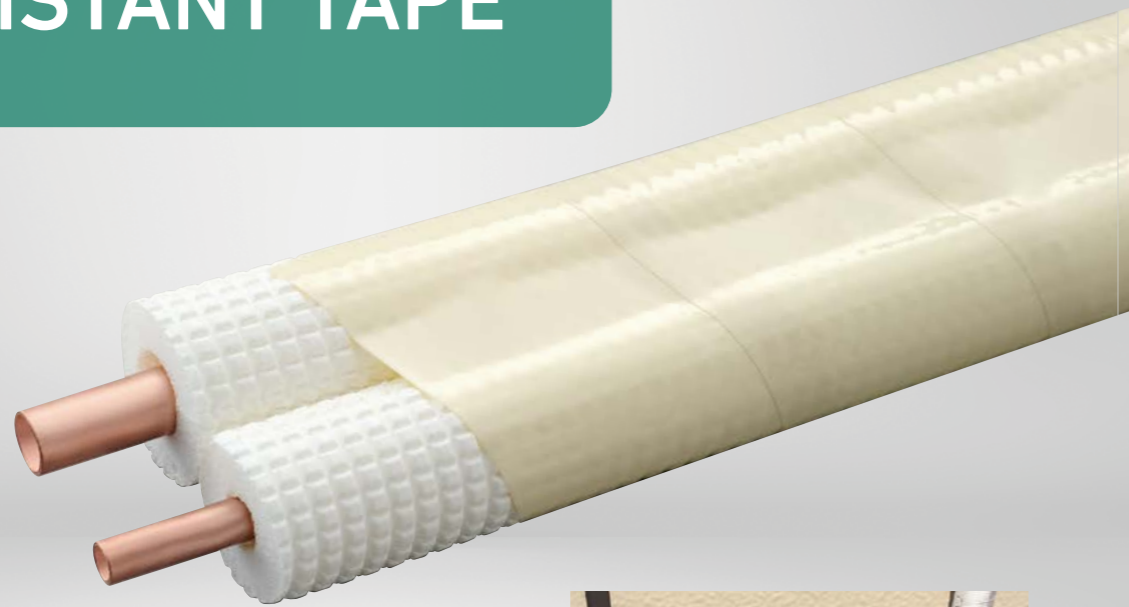
- Chloroprene rubber is used as material which offers superior weather and thermal resistance.

| Item No.           | Color Variation | Width (W) | Length (L) | Thickness (t) | Hole Diameter | Pcs/Pkg |
|--------------------|-----------------|-----------|------------|---------------|---------------|---------|
| <b>GPS-50-50</b>   | ■               | 50        | 50         | 10            | φ13           | 240     |
| <b>GPS-80-80</b>   | ■               | 80        | 80         | 10            | φ13           | 120     |
| <b>GPS-100-100</b> | ■               | 100       | 100        | 10            | φ13           | 60      |

Color Variation: □...White, □...Ivory, □...Gray, □...Brown, □...Black  
Condenser Riser & Bracket



# UV RESISTANT TAPE



## Very Strong Against Sunshine

Protects exposed insulation from the damages of solar UV exposure.

## Best choice to cover the exposed insulation !

Same UV resistant performance as our New UV Resistant P.E. insulated copper tube.

## 3-times performance of Weather Resistance compared with our previous product.

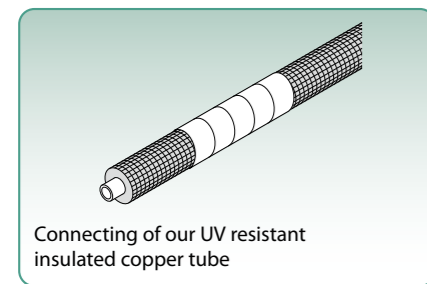
\*according to the actual measurement by our internal test.

## Tight Grip

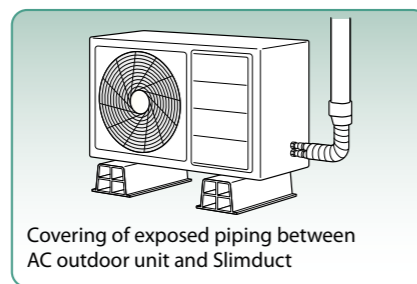
Fits perfectly into the embossed insulation surface.



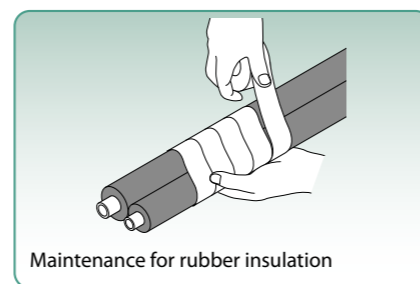
Insulation without UV protection damaged by solar UV exposure



Connecting of our UV resistant insulated copper tube



Covering of exposed piping between AC outdoor unit and Slimduct



Maintenance for rubber insulation

## UVT-50 UV RESISTANT TAPE



If without any protection, normal insulation will rag against sunshine UV rays. That damaged insulation will cause condensation problem or poor performance of AC.

| Item No. | Color Variation | Size (W×L) | Pcs/Pkg |
|----------|-----------------|------------|---------|
| UVT-50-I | □               | 50mm×20m   | 24      |
| UVT-25-I | □               | 25mm×20m   | 48      |

\*Material . . . Polyethylene

Color Variation: □...White, □...Ivory, □...Gray, ■...Brown, ■...Black  
<https://www.inaba-denko.com/en/>

## Tape/Sleeve INSULATION JOINT ADHESIVE TAPE JTA

### JTA INSULATION JOINT ADHESIVE TAPE



Upgraded workability by easy stripping exfoliation paper !

Others

INABA

Adhesive is not strong. Does not withstand the thermal shrinkage force, and detaches from the jointing point.

High strength adhesive keeps jointing point connected. Fits perfectly into the embossed insulation surface. Features polyester thread in the center for enhanced performance.

#### Specifications

• Temperature Range . . . -10°C to 60°C

#### How to use

- 1) Remove all the dirt and dust from the surface, and joint the insulations without any gap.
- 2) When taping, make sure joint part of the insulation comes to the center of the tape.
- 3) Wrap a tape around insulation to overlap at least 10mm, and press it with hands to fit into the (uneven) emboss film.

| Item No.  | Color Variation | Size (W×L) | Pcs/Pkg |
|-----------|-----------------|------------|---------|
| JTA-100-I | □               | 100mm×10m  | 12      |

\*Material . . . Aluminum foil + Polyester string contained tape (center part)

#### Reference Table for Required Length of Insulation Joint Tape JTA

| Compliant Pipe Size        | 6.35 | 9.52 | 12.70 | 15.88 | 19.05 | 22.22 | 25.40 | 28.58 | 31.75 | 34.92 | 38.10 | 41.28 | 44.45 | 50.80 | 53.98 |
|----------------------------|------|------|-------|-------|-------|-------|-------|-------|-------|-------|-------|-------|-------|-------|-------|
| Insulation Thickness 10mm* | 85   | 95   | 120   | 130   | 140   | 150   | 160   | 170   | 180   | 190   | 200   | 210   | 220   | 270   | 280   |
| Insulation Thickness 20mm  | 160  | 170  | 180   | 190   | 205   | 210   | 220   | 230   | 240   | 250   | 265   | 275   | 280   | 305   | 315   |

\*Insulation thickness for pipe size 6.35mm and 9.52mm is 8mm, and the one for 50.80mm and 53.98mm is 15mm.

\*The figures in the table are for reference purpose. Lengths may differ from table due to insulation's outer diameter. When applying, adjust the length according to actual insulation.

### DHF INSULATED ADHESIVE TAPE

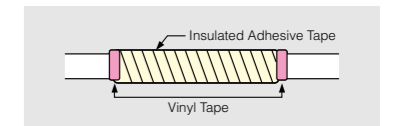


#### Features

- Suitable for condensation prevention at pipe jointing part.
- With exfoliation paper to keep adhesive strength.

#### Caution

- Please fix both ends of insulated adhesive tape by vinyl tape to prevent insulated adhesive tape from peeling off.



| Item No.  | Color Variation | Size (W×L) | Insulation thickness | Pcs/Pkg |
|-----------|-----------------|------------|----------------------|---------|
| DHF-50-LG | Light Grey      | 50mm×3m    | 4mm                  | 60      |

\*Material . . . Chemical cross-linked 30 times foamed polyethylene (JIS A9511 A-PE-C-2 Standard / Insulation thermal resistance up to 120°C)

### DHV INSULATED ADHESIVE TAPE



#### Features

- It can be used easily in several ways to prevent condensation, such as for partial additional taping because this tape itself is made by insulation material.

#### Caution

- Please fix both ends of insulated adhesive tape by vinyl tape to prevent insulated adhesive tape from peeling off.
- Please keep away from direct sunshine and keep at cool place.

| Item No.  | Size (W×L) | Insulation thickness | Pcs/Pkg |
|-----------|------------|----------------------|---------|
| DHV- 5010 | 50mm×10m   | 3mm                  | 12      |
| DHV- 5020 | 50mm×20m   | 3mm                  | 12      |
| DHV- 7510 | 75mm×10m   | 3mm                  | 8       |
| DHV- 7520 | 75mm×20m   | 3mm                  | 8       |
| DHV-10010 | 100mm×10m  | 3mm                  | 6       |
| DHV-10020 | 100mm×20m  | 3mm                  | 6       |

\*Material . . . Chemical cross-linked 30 times foamed polyethylene. (JIS A9511 A-PE-C-1 Standard / Insulation thermal resistance up to 70°C)

Color Variation: □...White, □...Ivory, □...Gray, ■...Brown, ■...Black  
 Tape/Sleeve

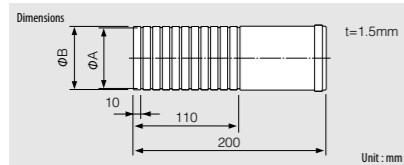


# Tape/Sleeve WALL SLEEVE

## FP PLAIN WALL SLEEVE



Typical installation in combination with WC WALL CAP

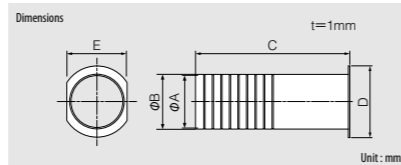


- Features**
- Cutmarks embossed at 1cm intervals on sleeve surface facilitate cutting to correct length.

| Item No. | Color Variation | Applicable WALL CAP | A (I.D.) | B (O.D.) | I.D. in combination with UWC | I.D. in combination with WC | Core drill diameter | Pcs /Pkg |
|----------|-----------------|---------------------|----------|----------|------------------------------|-----------------------------|---------------------|----------|
| FP-60N   | □               | WC-60N,UWC-60       | 61.5     | 63.5     | 58                           | 57                          | 65                  | 100      |
| FP-65N   | □               | WC-65N,UWC-65       | 66.5     | 68.5     | 63                           | 62                          | 70                  | 100      |
| FP-75N   | □               | WC-75N              | 75.5     | 78.5     | -                            | 71                          | 80                  | 100      |

\*Material ... PE

## FPW FLANGED WALL SLEEVE



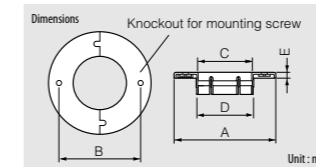
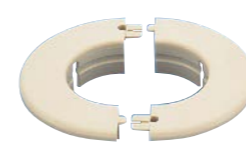
- Features**
- Cutmarks embossed at 1cm intervals on sleeve surface facilitate cutting to correct length.
  - Integral flange prevents the sleeve from dropping to wall cavity.
  - Can be used with WC & UWC WALL CAP.

| Item No. | Color Variation | A (I.D.) | B (O.D.) | C   | D    | E  | Core drill diameter | Pcs /Pkg |
|----------|-----------------|----------|----------|-----|------|----|---------------------|----------|
| FPW-60   | □               | 61.5     | 63.5     | 180 | 83.5 | 70 | 65                  | 100      |
| FPW-65   | □               | 66.5     | 68.5     | 200 | 88.5 | 76 | 70                  | 50       |
| FPW-70   | □               | 71.5     | 73.5     | 200 | 93.5 | 81 | 75                  | 50       |

\*Material ... PE+PP \*Color ... Ivory (Silky White)

# Tape/Sleeve WALL CAP

## WC WALL CAP



- Features**
- Split construction ensures ease of installation.
  - Use in combination with FP-60N, FP-65N, FP-75N.
  - Locking tab snaps off to provide holes for extra mounting screws.
  - Scored line facilitates trimming of flange to fit into tight spaces.

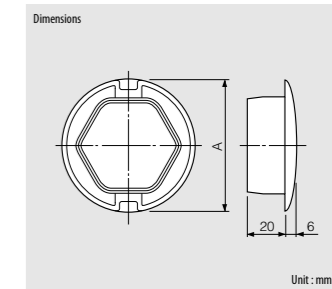
**Caution**

- Joint, fixing and penetration points must be waterproofed with caulk or putty.

| Item No. | Color Variation | A   | B   | C (I.D.) | D (O.D.) | E | Pcs/Pkg |
|----------|-----------------|-----|-----|----------|----------|---|---------|
| WC-60N-I | □               | 112 | 96  | 57       | 61.5     | 6 | 200     |
| WC-65N-I | □               | 117 | 98  | 62       | 66.5     | 6 | 200     |
| WC-75N-I | □               | 127 | 105 | 71       | 75.5     | 6 | 200     |
| WC-65-W  | □               | 117 | 98  | 62       | 66.5     | 3 | 200     |

\*Material ... PP

## WM WC HOLE COVER



**Features**

- Use in combination with WC-60, WC-65 or WC-75.

| Item No. | Color Variation | A  | Pcs/Pkg |
|----------|-----------------|----|---------|
| WM-60-I  | □               | 70 | 100     |
| WM-65-I  | □               | 76 | 100     |
| WM-75-I  | □               | 86 | 100     |
| WM-65-W  | □               | 76 | 100     |

\*Material ... EVA

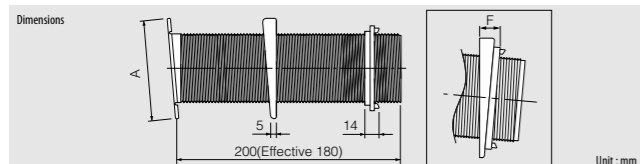
## FPS FLANGED WALL SLEEVE



- Features**
- Integral 5° slope ensures correct pitch for drain line.
  - Sleeve is easily secured tightly onto wall by tightening locknut.

**Caution**

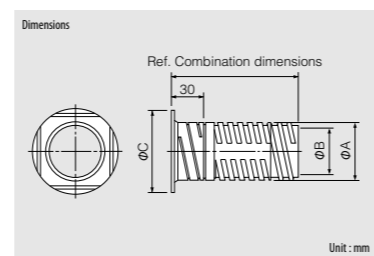
- Joint, fixing and penetration points must be waterproofed with caulk or putty.
- When drilling hole in the wall, take into account wall thickness as well as slope to ensure that 5° pitch is maintained.



| Item No. | Color Variation | A     | I.D. | Core drill diameter | Effective length(max) | F  | Pcs /Pkg |
|----------|-----------------|-------|------|---------------------|-----------------------|----|----------|
| FPS-85   | □               | 130.0 | 84.5 | φ95                 | 180mm                 | 23 | 10       |

\*Material ... PE

## NFP NEW WALL SLEEVE



- Features**
- Length is adjustable between 100mm ~ 180mm without cutting.
  - Wide flange allows penetration with slope up to 5°.
  - Unitary construction is easy to caulk and prevents water and pest damage.

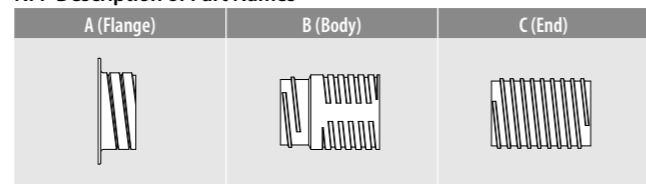
**Caution**

- Joint, fixing and penetration points must be waterproofed with caulk or putty.
- Cannot adjust for lengths between 105mm ~ 127mm.

| Item No. | Color Variation | A (O.D.) | B (I.D.) | C   | Core drill diameter | Pcs /Pkg |
|----------|-----------------|----------|----------|-----|---------------------|----------|
| NFP-60   | □               | 61.5     | 50.5     | 85  | 65                  | 100      |
| NFP-65   | □               | 66.5     | 55.5     | 90  | 70                  | 100      |
| NFP-75   | □               | 76.5     | 65.5     | 100 | 80                  | 50       |

\*Material ... PE

### NFP Description of Part Names



### Combination Dimensions

| Parts Combination | Adjustable Length | NFP Required Q'ty |
|-------------------|-------------------|-------------------|
| A+B               | 99mm~105mm        | 1 set             |
| A+C               | 127mm~180mm       | 1 set             |
| A+B+C             | 196mm~255mm       | 2 sets            |
| A+B+B+C           | 265mm~330mm       | 3 sets            |

\*Minimum 24mm overlap is required for each component when assembling.  
\*To attach NWC WALL CAP to part B or C, adjust sleeve to exact thickness of wall.  
\*To replace part A with NWC WALL CAP, reduce sleeve length to 10mm less than wall thickness.

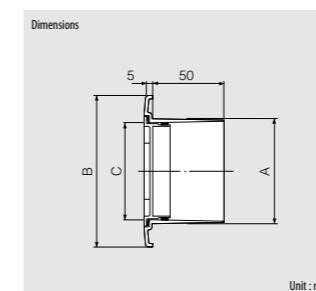
## NFP-S NEW WALL SLEEVE KIT



| Item No. | Color Variation | Contents                | Pcs /Pkg |
|----------|-----------------|-------------------------|----------|
| NFP-60S  | □               | NFP-60+(NWC-60+NWM-C)×2 | 30       |
| NFP-65S  | □               | NFP-65+(NWC-65+NWM-C)×2 | 30       |
| NFP-75S  | □               | NFP-75+(NWC-75+NWM-C)×2 | 30       |

Color Variation: □...White, □...Ivory, □...Gray, □...Brown, □...Black  
<https://www.inaba-denko.com/en/>

## AC A/C CAP



**Caution**

- Joint, fixing and penetration points must be waterproofed with caulk or putty.

| Item No. | Color Variation | Applicable pipe (I.D.×O.D.)          | A    | B   | C    | Pcs/Pkg |
|----------|-----------------|--------------------------------------|------|-----|------|---------|
| AC-67    | □               | VP-65 (67×76)                        | 66.5 | 89  | 58.5 | 50      |
| AC-75    | □               | SU-75 (75×80)                        | 74.5 | 108 | 67.0 | 50      |
| AC-100   | □               | SU-100 (100×106)<br>VP-100 (100×114) | 99.0 | 130 | 91.0 | 50      |

\*Material ... ABS \*Color ... Ivory (Silky White)

## AP SEALANT PUTTY for A/C



- Features**
- All weather, fire retardant non-drying putty with superior adhesion.
  - Temperature range : -20°C~50°C
  - Working temperature : 5°C~40°C
  - Putty will harden below 5°C, always heat before use at this temperature.

**Caution**

- Oil in putty may stain wallpaper if in direct contact. Use WALL CAP (WC) or A/C CAP (AC) to separate putty from wall surface.

- ① Open the bag and take out the putty.
- ② Knead the putty by hand.
- ③ Stuff the putty.



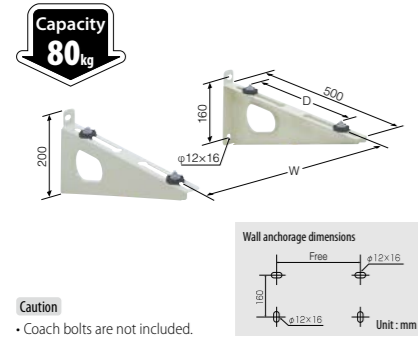
| Item No. | Color Variation | Contents | Pcs/Pkg |
|----------|-----------------|----------|---------|
| AP-200   | □               | 200g     | 100     |
| AP-1000  | □               | 1000g    | 20      |

Color Variation: □...White, □...Ivory, □...Gray, □...Brown, □...Black  
Tape/Sleeve

**WALL BRACKET – Separated Type**

|                          |                           |
|--------------------------|---------------------------|
| Use                      | For Wall                  |
| Item No.                 | <b>C-BFG-L</b>            |
| Specification / Material | Powder Coating            |
| A/C applicable size      | W : Free<br>D : 140 ~ 440 |
| Min. lot                 | 6                         |

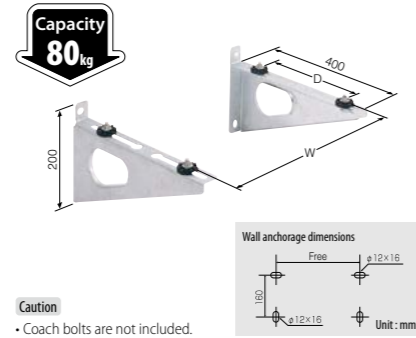
**Capacity 80 kg**



Caution  
• Coach bolts are not included.

|                          |                           |
|--------------------------|---------------------------|
| Use                      | For Wall                  |
| Item No.                 | <b>C-BZFG</b>             |
| Specification / Material | Hot-Dip Galvanized        |
| A/C applicable size      | W : Free<br>D : 100 ~ 330 |
| Min. lot                 | 6                         |

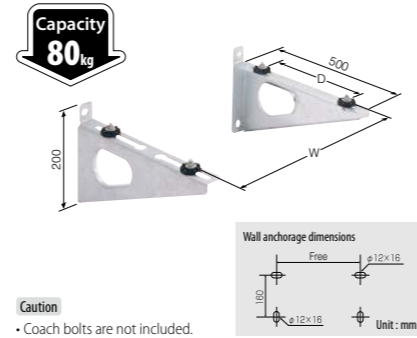
**Capacity 80 kg**



Caution  
• Coach bolts are not included.

|                          |                           |
|--------------------------|---------------------------|
| Use                      | For Wall                  |
| Item No.                 | <b>C-BZFG-L</b>           |
| Specification / Material | Hot-Dip Galvanized        |
| A/C applicable size      | W : Free<br>D : 140 ~ 440 |
| Min. lot                 | 6                         |

**Capacity 80 kg**

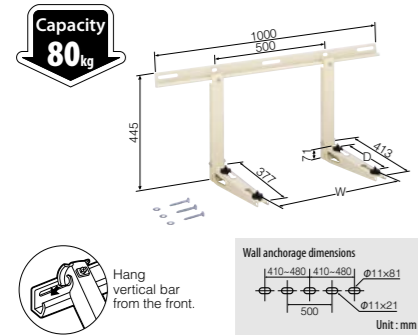


Caution  
• Coach bolts are not included.

**WALL BRACKET**

|                          |  |
|--------------------------|--|
| Use                      | For Wall   |
| Item No.                 | <b>C-KG</b>  |
| Specification / Material | A highly corrosion resistant hot dip galvanized steel + Powder Coating |
| A/C applicable size      | W : 70 ~ 940<br>D : 160 ~ 340  |
| Min. lot                 | 4  |

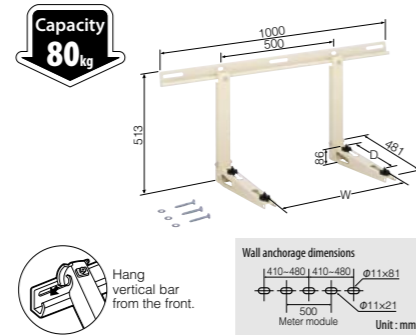
**Capacity 80 kg**



Hang vertical bar from the front.

|                          |  |
|--------------------------|--|
| Use                      | For Wall   |
| Item No.                 | <b>IC-KG-L</b>   |
| Specification / Material | A highly corrosion resistant hot dip galvanized steel + Powder Coating |
| A/C applicable size      | W : 70 ~ 940<br>D : 160 ~ 400  |
| Min. lot                 | 4  |

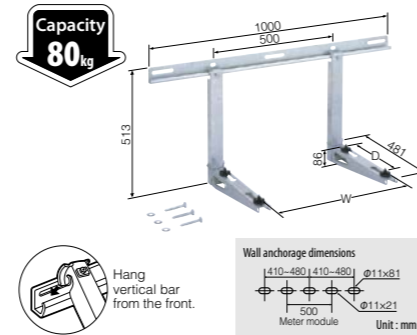
**Capacity 80 kg**



Hang vertical bar from the front.

|                          |                               |
|--------------------------|-------------------------------|
| Use                      | For Wall                      |
| Item No.                 | <b>C-KZG-L</b>                |
| Specification / Material | Hot-Dip Galvanized            |
| A/C applicable size      | W : 70 ~ 940<br>D : 160 ~ 400 |
| Min. lot                 | 4                             |

**Capacity 80 kg**



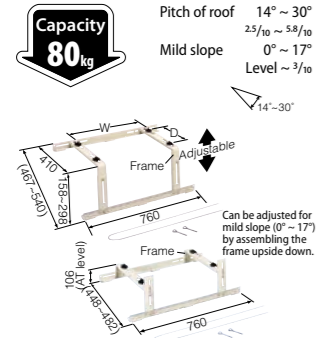
Hang vertical bar from the front.

**SLOPED ROOF BRACKET**

|                          |  |
|--------------------------|--|
| Use                      | For Sloped Roof  |
| Item No.                 | <b>C-YG</b>  |
| Specification / Material | A highly corrosion resistant hot dip galvanized steel + Powder Coating |
| A/C applicable size      | W : 300 ~ 700<br>D : 180 ~ 330   |
| Min. lot                 | 4  |

**Capacity 80 kg**

Pitch of roof 14° ~ 30°  
25/10 ~ 58/10  
Mild slope  
Level ~ 3/10

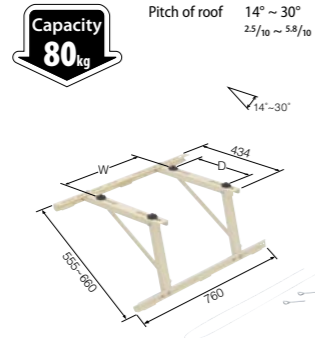


Can be adjusted for mild slope (0° ~ 17°) by assembling the frame upside down.

|                          |  |
|--------------------------|--|
| Use                      | For Sloped Roof  |
| Item No.                 | <b>IC-YUG</b>  |
| Specification / Material | A highly corrosion resistant hot dip galvanized steel + Powder Coating |
| A/C applicable size      | W : 100 ~ 700<br>D : 160 ~ 340   |
| Min. lot                 | 4  |

**Capacity 80 kg**

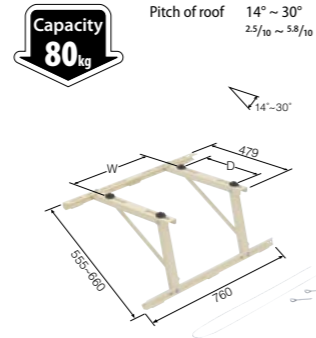
Pitch of roof 14° ~ 30°  
25/10 ~ 58/10



|                          |  |
|--------------------------|--|
| Use                      | For Sloped Roof  |
| Item No.                 | <b>IC-YUG-L</b>  |
| Specification / Material | A highly corrosion resistant hot dip galvanized steel + Powder Coating |
| A/C applicable size      | W : 100 ~ 700<br>D : 160 ~ 400   |
| Min. lot                 | 4  |

**Capacity 80 kg**

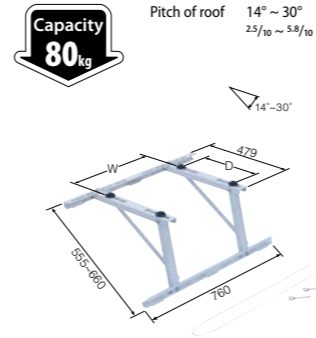
Pitch of roof 14° ~ 30°  
25/10 ~ 58/10



|                          |                                |
|--------------------------|--------------------------------|
| Use                      | For Sloped Roof                |
| Item No.                 | <b>C-YUZG-L</b>                |
| Specification / Material | Hot-Dip Galvanized             |
| A/C applicable size      | W : 100 ~ 700<br>D : 160 ~ 400 |
| Min. lot                 | 4                              |

**Capacity 80 kg**

Pitch of roof 14° ~ 30°  
25/10 ~ 58/10

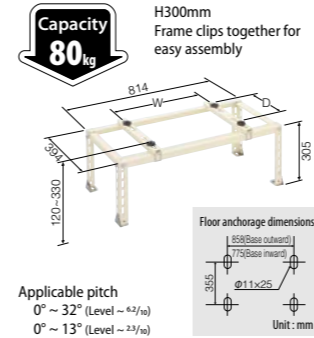


**SLAB STAND**

|                          |  |
|--------------------------|--|
| Use                      | For Flats  |
| Item No.                 | <b>IC-NG</b>   |
| Specification / Material | A highly corrosion resistant hot dip galvanized steel + Powder Coating |
| A/C applicable size      | W : 300 ~ 700<br>D : 160 ~ 340   |
| Min. lot                 | 3  |

**Capacity 80 kg**

H300mm  
Frame clips together for easy assembly

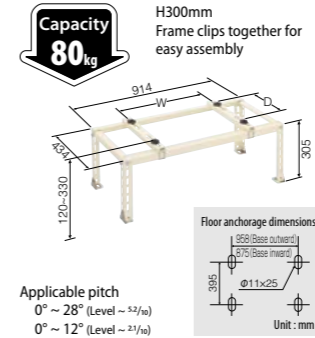


Applicable pitch  
0° ~ 32° (Level ~ 42/100)  
0° ~ 13° (Level ~ 13/100)

|                          |  |
|--------------------------|--|
| Use                      | For Flats  |
| Item No.                 | <b>C-NG-L</b>  |
| Specification / Material | A highly corrosion resistant hot dip galvanized steel + Powder Coating |
| A/C applicable size      | W : 400 ~ 800<br>D : 200 ~ 380   |
| Min. lot                 | 2  |

**Capacity 80 kg**

H300mm  
Frame clips together for easy assembly



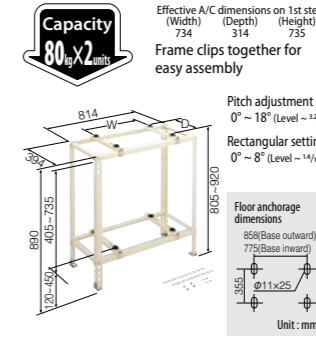
Applicable pitch  
0° ~ 28° (Level ~ 37/100)  
0° ~ 12° (Level ~ 12/100)

**DUPLEX STAND**

|                          |  |
|--------------------------|--|
| Use                      | For Two-Stage Flats  |
| Item No.                 | <b>C-WG</b>  |
| Specification / Material | A highly corrosion resistant hot dip galvanized steel + Powder Coating |
| A/C applicable size      | W : 300 ~ 700<br>D : 160 ~ 340   |
| Min. lot                 | 2  |

**Capacity 80 kg**

Effective A/C dimensions on 1st step  
(Width) 734 (Depth) 314 (Height) 735  
Frame clips together for easy assembly

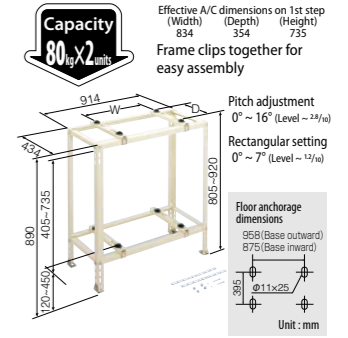


Pitch adjustment  
0° ~ 18° (Level ~ 23/100)  
Rectangular setting  
0° ~ 8° (Level ~ 14/100)

|                          |  |
|--------------------------|--|
| Use                      | For Two-Stage Flats  |
| Item No.                 | <b>C-WG-L</b>  |
| Specification / Material | A highly corrosion resistant hot dip galvanized steel + Powder Coating |
| A/C applicable size      | W : 400 ~ 800<br>D : 200 ~ 380   |
| Min. lot                 | 2  |

**Capacity 80 kg**

Effective A/C dimensions on 1st step  
(Width) 834 (Depth) 354 (Height) 735  
Frame clips together for easy assembly

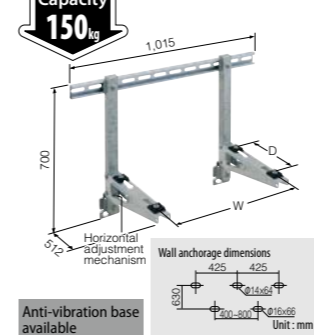


Pitch adjustment  
0° ~ 16° (Level ~ 21/100)  
Rectangular setting  
0° ~ 7° (Level ~ 11/100)

**WALL BRACKET**

|                          |                                |
|--------------------------|--------------------------------|
| Use                      | For Wall                       |
| Item No.                 | <b>PC-KJ30</b>                 |
| Specification / Material | Hot-Dip Galvanized             |
| A/C applicable size      | W : 400 ~ 800<br>D : 250 ~ 380 |
| Min. lot                 | 1                              |

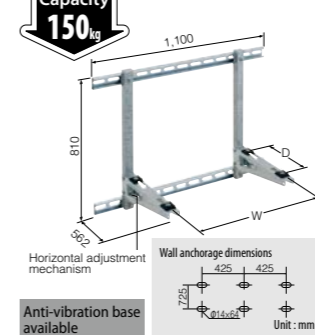
**Capacity 150 kg**



Horizontal adjustment mechanism  
Anti-vibration base available

|                          |                                  |
|--------------------------|----------------------------------|
| Use                      | For Wall                         |
| Item No.                 | <b>PC-KJ60</b>                   |
| Specification / Material | Hot-Dip Galvanized               |
| A/C applicable size      | W : 400 ~ 1,000<br>D : 300 ~ 430 |
| Min. lot                 | 1                                |

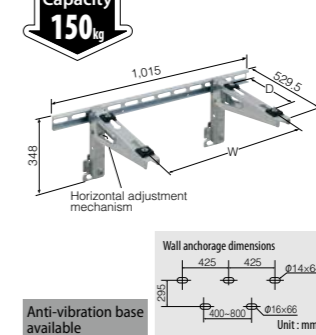
**Capacity 150 kg**



Horizontal adjustment mechanism  
Anti-vibration base available

|                          |                                |
|--------------------------|--------------------------------|
| Use                      | For Wall                       |
| Item No.                 | <b>PC-BJ30</b>                 |
| Specification / Material | Hot-Dip Galvanized             |
| A/C applicable size      | W : 400 ~ 800<br>D : 250 ~ 380 |
| Min. lot                 | 1                              |

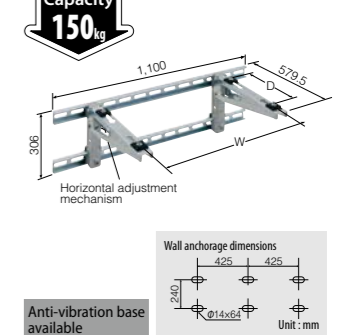
**Capacity 150 kg**



Horizontal adjustment mechanism  
Anti-vibration base available

|                          |                                  |
|--------------------------|----------------------------------|
| Use                      | For Wall                         |
| Item No.                 | <b>PC-BJ60</b>                   |
| Specification / Material | Hot-Dip Galvanized               |
| A/C applicable size      | W : 400 ~ 1,000<br>D : 300 ~ 430 |
| Min. lot                 | 1                                |

**Capacity 150 kg**



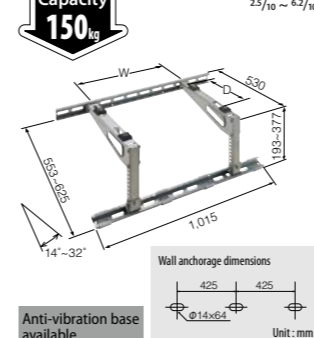
Horizontal adjustment mechanism  
Anti-vibration base available

**SLOPED ROOF BRACKET**

|                          |                                |
|--------------------------|--------------------------------|
| Use                      | For Sloped Roof                |
| Item No.                 | <b>PC-YJ30</b>                 |
| Specification / Material | Hot-Dip Galvanized             |
| A/C applicable size      | W : 400 ~ 800<br>D : 250 ~ 380 |
| Min. lot                 | 1                              |

**Capacity 150 kg**

Pitch of roof 14° ~ 32°  
25/10 ~ 62/100

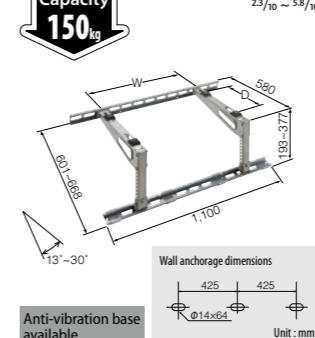


Anti-vibration base available

|                          |                                  |
|--------------------------|----------------------------------|
| Use                      | For Sloped Roof                  |
| Item No.                 | <b>PC-YJ60</b>                   |
| Specification / Material | Hot-Dip Galvanized               |
| A/C applicable size      | W : 400 ~ 1,000<br>D : 300 ~ 430 |
| Min. lot                 | 1                                |

**Capacity 150 kg**

Pitch of roof 13° ~ 30°  
23/10 ~ 58/100



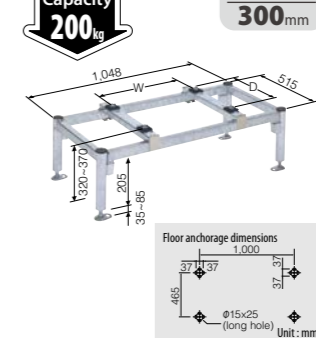
Anti-vibration base available

**SLAB STAND**

|                          |                                |
|--------------------------|--------------------------------|
| Use                      | For Flats                      |
| Item No.                 | <b>PC-NJ33</b>                 |
| Specification / Material | Hot-Dip Galvanized             |
| A/C applicable size      | W : 400 ~ 810<br>D : 250 ~ 410 |
| Min. lot                 | 1                              |

**Capacity 200 kg**

Height 300mm



|                          |                                  |
|--------------------------|----------------------------------|
| Use                      | For Flats                        |
| Item No.                 | <b>PC-NJ63</b>                   |
| Specification / Material | Hot-Dip Galvanized               |
| A/C applicable size      | W : 400 ~ 1,010<br>D : 270 ~ 430 |
| Min. lot                 | 1                                |

**Capacity 200 kg**

Height 300mm

